

Pos. Code	Description	Note
1	9161.207.150	Support for faucet micro
2	NE05.062	Microswitch + wheel
3	9111.623	Lid tank air break
4	9111.621	Connecting rod tank water
5	9111.632	Rubber for air break
6	U207.009	Plain washer 5,5x15 uni 6593 ga
7	U324.003	Nut m5 flanged indented base
8	11006703	Assembly air break cristalino400
9	129824602	Tcb screw m4x16 uni 7687 znp
10	0875.207	Pin for boss d.8
11	NV01.008	Hood for dispen.compartment spring
12	NV03.002	cap 3/4 kapsto 800r 3/4
13	U110.002	Screw aut.tcb 3,5x13 din 7981 f
14	11001279	Harness micro air break ul
14	1863.642	Harness
15	9111.508	Float for air break bowl
16	9111.641	Tank air break
17	U043.015	Screw tcbc m5,0x12 uni 7687 galv.
18	1863.015	Air break support
19	U203.001	Plain washer 4,3x8 uni 1749 gal
20	U109.011	Screw aut.tcb 3,9x9,5 din 7981 c
21	9121.057.00P	Safety electrovalve 24v dc
22	11000371	Panel inspection led board i/o 90x20
22	11008157	Plate for panel inspection cadr led 90x20
23	11000372	Panel inspection led board i/o 35x20
23	11008185	Plate for panel inspection cadr led 35x20
24	U043.011	Screw tcbc m4,0x12 uni 7687 galv.
25	U208.003	Toothed washer 5,1x9 bru
26	11001957	Panel back inspection
26	11005970	Back panel inspection new version
27	11001933	Fs400 beige met. chassis
27	11014294	Fs400 black met. chassis
28	NV01.002	Foot d.34 h.35 with nut m10
29	1602.147	Bush for door connecting rod
30	U109.003	Screw aut.tcb 3,5x9,5 din 7981 c
31	NF11.102	Rivet 4,8x8 aluminum/iron black
32	9111.763	Pin
33	U043.014	Screw tcbc m5,0x20 uni 7687 galv.
34	U109.013	Screw tcb 3,5x13 uni 6954 nik
35	NV01.013	Foot buffer d.20 x h10
36	11003474	Fs400 door wheel
37	11006477	Fs400 door pivot for wheel
38	12000780	Screw tpsc m4,0x20 uni 7688 galv.
39	11000387	Wedge for chassis cover
40	11001934	Fs400 upper cover met. beige
40	11014292	Fs400 upper cover met. black
41	1863.034	Channel for door cables

Pos. Code	Description	Note
42	NE16.002	Grommet d.11x20,5xh.7
43	11008175	Spring for upper door cristalino400
44	1863.038	Stirrer upper door
45	0875.113	Bush for sliding plate
46	12000031	Bucket utilplastic 18262 kouros 1 black
47	11000551	Bottom tub
48	U324.004	Nut m6 flanged indented base
49	1863.071	Pin for casing cover
50	NV01.016	Foot d.12 x h2,5
51	NE05.054	Microswitch crouzet f83161.9
52	1863.035.A20	Support for micro door
53	NE05.039	Bipolar microswitch
53	NE05.061	Microswitch cherry d413 .v3ld
54	U116.006	Screw aut.pt tcb 3,5x12 wn 1441
55	1863.016.A20	Upper guide left plate
56	1863.017.A20	Lower guide left plate
57	11001935	Fs400 lower panel met.beige
57	11014232	Base cristalino400-600 black
58	U043.004	Zn-b tcb screw m4x16
59	1863.018.A20	Upper guide right plate
60	1863.019.A20	Lower guide right plate
61	U109.016	Screw aut.tcb 3,9x13 din 7981 c

only UL

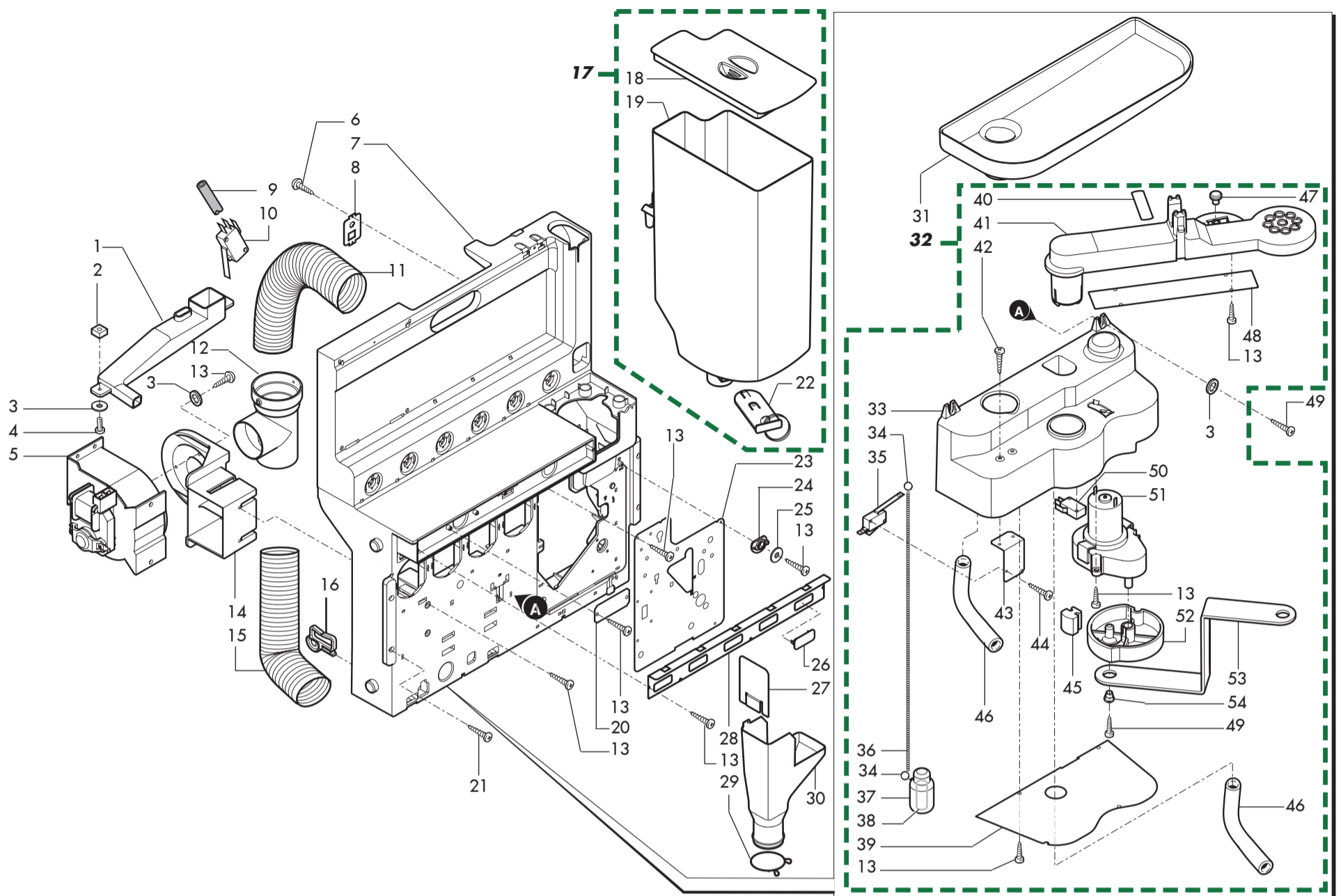
only UL

up to s.n. 9007FS40005667
from s.n. 9007FS40005668

from s.n. 9006FS40001663
from s.n. 9006FS40001663
from s.n. 9006FS40001663

up to s.n.9008FS40010797

only UL



Pos. Code	Description	Note
1	9111.720.050	Unloading collector
2	U315.001	Nut square m4 uni 5596 galv.
3	U207.002	Plain washer 4,3x9 uni 6592 gal
4	129825002	Tcb screw m4x20 uni 7687 znp
5	11003905	Centrifugal fan 120v ul
5	9121.198.00A	Centrifugal fan cap 07
6	U110.003	Screw aut.tcb 3,5x9,5 din 7981 f
7	9111.708.A20	Main plate
8	9111.766	Connecting plate
9	1883.004	Sheath
10	NE05.018	Microswitch
11	0862.014	Aspirator tube l=290
12	9111.640.060	Tube connector
13	129670202	Tcb panelvit screw 3,5x16 testa d=8 znp
14	9111.732.A20	Support
15	0862.145	Spiral tube l.210mm
16	9111.718	Clip
17	9110.139	Coffee cont. ass.
18	9111.728	Cover for coffee container
19	9111.724	Container for coffee bean
20	11000793	Mixer aspiration plate
21	U023.009	Screw tcei m5,0x30 uni 5931 8.8 b
22	11010736	Ass.guillotine coffee
23	9111.711	Inox. plate
24	9111.717.270	Knob fixing plate
25	U207.001	Plain washer 5,3x10 uni 6592 gal
26	9111.481.060	Column cap
27	11002131	Carter for mixer tank
28	9111.712	Inox. plate for mixers
29	0862.112	Grounds sack ring 8p
30	0862.111.050	Grounds duct
31	9111.714.A20	Tank
32	11003988	Ul assembled nozzles arm
32	9110.148	Nozzle arm
33	9111.709.A20	Support nozzle arm
34	9111.148	Elastic ring for float
35	NE05.041	Microswitch
36	9111.775	Chain
37	9111.130	Float for discharge level
38	9111.147	Counterweight for float
39	9111.722	Plate
40	140321560	Or 3187 in nbr
41	9111.710.A20	Nozzle arm
42	129512903	Screw tcb ph-ab 2,9x13 uni 6954 ni
43	9111.719	Plate
44	U109.003	Screw aut.tcb 3,5x9,5 din 7981 c
45	0875.150	Rubber for dispensing comp.

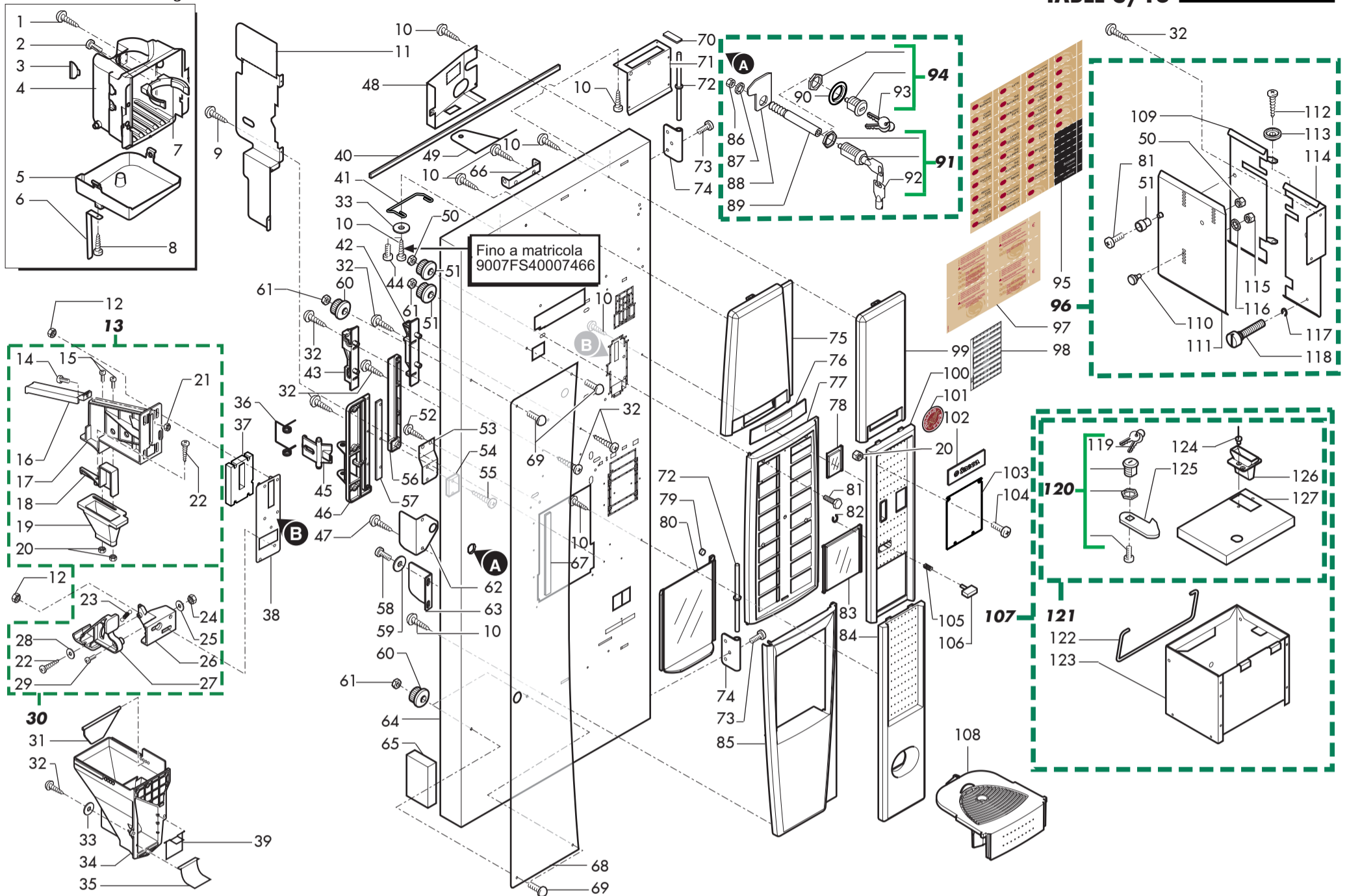
Pos. Code	Description	Note
46	11001454	Pvc tube 16x22 l.350 mm
47	NV01.009	Rubber buffer
48	9111.723	Plate
49	U116.002	Screw aut.pt tcb 3,5x16 wn 1441
50	NE05.010	Microswitch
51	11025284	Motoriduttore fiber 37rpm
51	9121.107.00P	Stirrer ratiomotor fiber
52	9111.716.A20	Cam arm
53	9111.715	Connecting rod arm
54	9111.204	Bush for spring compensate stirrer

TTT

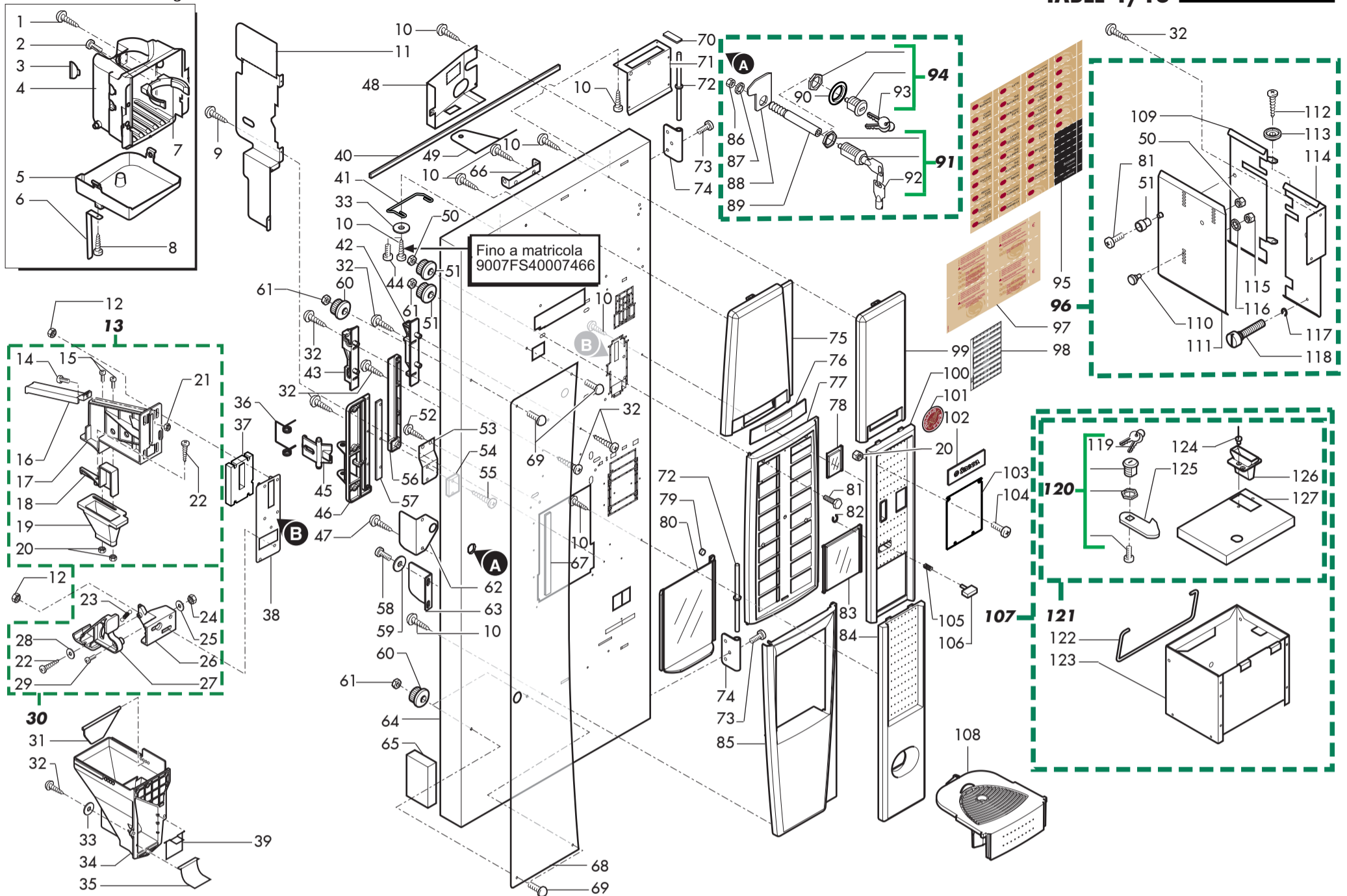
from s.n.9011FS40018651
up to s.n.9011FS40018650

VENDING MACHINE SAECO CRISTALLO 400

TABLE 3/18

E018.063.03


Pos. Code	Description	Note	Pos. Code	Description	Note
1	U109.037	Screw aut.tcb 4,8x13 din 7981 c	45	9111.372.050	Disp. compartm. locking lever black
2	U019.005	Screw stei m5,0x10 uni 5923 galv.	46	9111.371.050	Right support disp. comp. black
3	1863.013	Lens for compartment dispenser	47	U109.003	Screw aut.tcb 3,5x9,5 din 7981 c
4	1863.012.050	Compartment dispenser	48	1863.026	Carter cpu
5	1863.023.050	Water drip tray	49	1863.079	Basket stop plate
6	1863.024	Stirrup for compartment dispenser	50	U302.001	Nut hexagonal m5 uni 5588
7	9111.368.050	Variable cup support black	51	9111.307.270	Stirrer plate knob 8p
8	U109.023	Screw aut.tcb 4,2x9,5 din 7981 c	52	129512503	Screw tcb 2,9x9,5 din 7981 nick
9	U110.004	Screw aut.tcb 3,5x6,5 din 7981 f	53	1863.077	Bracket support reed
10	U110.003	Screw aut.tcb 3,5x9,5 din 7981 f	54	1863.649	Reed for door
11	11002386	Protection cover payment system	55	U110.011	Screw aut.tcb 2,9x9,5 din 7981 f
12	U324.003	Nut m5 flanged indented base	56	1863.058	Left support disp.comp. black
13	11011614	Ass.scivolo monete cristalino400	57	9111.774	Spacer for support
14	U043.007	Screw tcbc m3,0x8 uni 7687 galv.	58	U043.015	Screw tcbc m5,0x12 uni 7687 galv.
15	U046.003	Screw tcbd torx 20 m4x12 zn-b	59	U207.001	Plain washer 5,3x10 uni 6592 gal
16	11011663	Slide cover coin	60	9111.319.270	Knob for arm
17	11011616	Coin chute	61	123160502	Nut m5 high uni 5587-68 galvanized
18	11011618	Blocco x convogliatore monete regolabile	62	1863.059	Bracket for lock
19	11012131	Coin conveyor adjustable fs400/600	63	11003448	Movable plate for fs400 door
20	U302.003	Nut hexagonal m4 uni 5588	64	11004683	Ass. door sheet metal fs400
21	U302.002	Nut hexagonal m3 uni 5588	64	11006292	Door assembly cristalino400 ru/ua
22	U116.005	Screw aut.pt tcb 3,0x8 wn 1441	64	11014168	Ass. door sheet metal cristalino400
23	9111.397	Spring for tray /lever coin recove	64	11014230	Door cristalino400 film pvc gryru/ua
24	123453102	Galv.self lock nut high m4 din 982	65	11000390	Outdistance for fs400 door
25	U201.005	Plain washer 4,3x12 din 7349 gal	66	0894.185	Basket stop bracket
26	11011619	Support lever coin recovery	67	11000399	Profile ges26f-a-c0 l=148 mm
27	11011660	Lever coin recovery	68	11014279	Cristalino400/600 dia
28	U212.006	Washer 3,2x11x0,5 znp	69	12001436	Screw for black slide
29	129825002	Tcb screw m4x20 uni 7687 znp	70	11003787	Profile ges62f-a-c0 l=20 mm
30	11011615	Lever ass. coin recovery	71	1863.025	Support plate cpu
31	11011662	Adjustable plate	72	1863.043	Hinge
32	U110.002	Screw aut.tcb 3,5x13 din 7981 f	73	U044.013	Screw tspec m4,0x12 uni 7688 galv.
33	U207.002	Plain washer 4,3x9 uni 6592 gal	74	11001936	Fs400 met.beige hinge
34	11011661	Duct coin recovery	74	11014249	Fs400 blk hinge
35	9111.357.050	Coin chute bottom black	75	11001830	Fs400 display panel
36	9111.373	Spring for disp. comp. retaining	75	11003414	Red pearly display panel
37	11013280	Distanziale per montaggio canale monete	75	11014269	Fs400 display panel black
38	11012569	Ass.piastra mont.canale monete fs400/600	76	1863.074	Display glass
38	11021706	Blank protection coin channel ru/ua	77	11001835	Fs400 keyboard panel
39	11001739	Coin chute door red	77	11003413	Red pearly keyboard panel
39	11006845	Door conducting coins grey	77	11014291	Fs400 keyboard panel
40	1863.073	Door seal fs400	78	1863.065	Ass.coin box
41	11002095	Spring for chassis cover's switch	79	9991.093	Magnet d=9,5 x h=1,5
41	11007640	Spring for upper door microswitch	80	11000654	Cup station's door grey
42	1863.033.A20	Cup distr. support	81	U005.015	Screw te m5,0x30 uni 5739 galv.
43	1863.032.A20	Cup distr. support	82	U701.003	Snap ring 7 uni 7434
44	U043.006	Screw tcbc m4,0x14 uni 7687 galv.	83	1863.061	Ass.cover box
					up to s.n.9006FS40001662 from s.n.9006FS40001663
					up to s.n.9006FS40001662 from s.n.9006FS40001663

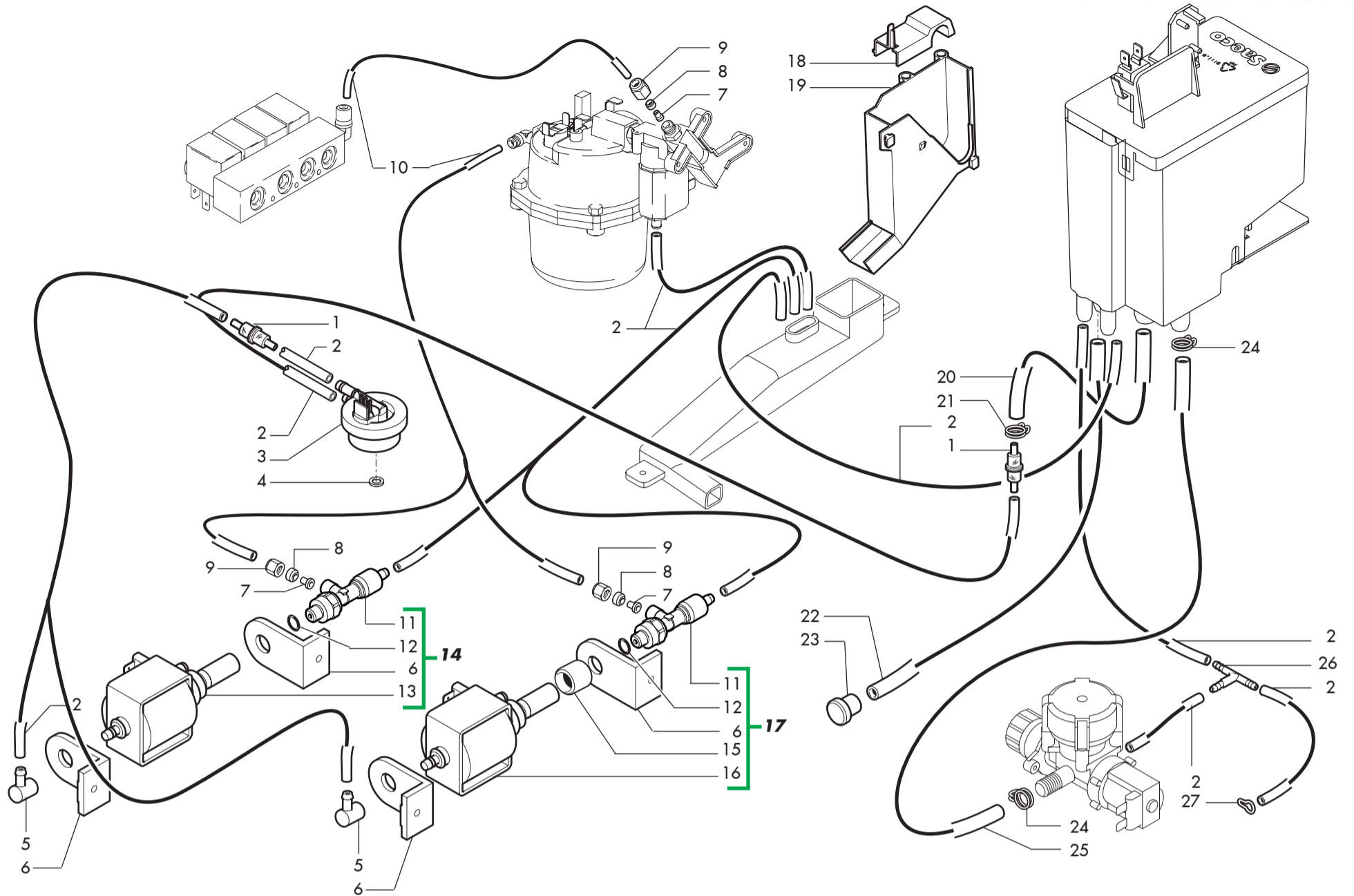
VENDING MACHINE SAECO CRISTALLO 400
TABLE 4/18
E018.063.04


Pos. Code	Description	Note
84 11001831	Fs400 recovery rest panel	up to s.n.9006FS40001662
84 11003415	Red pearly panel recovery rest	from s.n.9006FS40001663
84 11014270	Black panel recovery rest	
85 11001834	Fs400 disbursement panel vain	up to s.n.9006FS40001662
85 11003412	Red pearly vain disbursement panel	from s.n.9006FS40001663
85 11014290	Fs400 disbursement panel vain	
86 U302.006	Nut hexagonal m10 uni 5588	
87 U208.008	Toothed washer 10,5x18 uni 3703 g	
88 11003519	Plate for lock combi	from s.n.9007FS40007466
88 1863.057	Lock lever	up to s.n.9007FS40007465
89 0875.338	Lock for pin m10	up to s.n.9007FS40007465
89 11003515	Pin for lock m6 combi	from s.n.9007FS40007466
89 11021368	Pin for lock m6 cristalino400/600	only con 11014166
90 11014166	Lock bush	
91 NV02.052	Tubular lock l.31	
92 1482.R02	Key for door mb da 8p	
93 NV02.242	Programming key rielda aj306a	
94 NV02.229	Lock rielda mod.512 + key	
95 15000246	Products label's sheet fs400 f	(BLX) (CH) (F)
95 15000247	Products label's sheet fs400 i	(CH) (I)
95 15000248	Products label's sheet fs400 d	(CH) (D)
95 15000249	Products label's sheet fs400 p	(P)
95 15000250	Products label's sheet fs400 e	(E)
95 15000251	Products label's sheet fs400 ch	(CH)
95 15000252	Products label's sheet fs400 nl	(BLX)
95 15000253	Products label's sheet fs400 uk	(AUS) (GB)
95 15001972	Products label's sheet cristalino blk ita	(CH) (I)
95 15001973	Products label's sheet cristalino blk fra	(BLX) (CH) (F)
95 15001974	Products label's sheet cristalino blk de	(CH) (D)
95 15001975	Products label's sheet cristalino blk por	(P)
95 15001976	Products label's sheet cristalino blk esp	(E)
95 15001978	Products label's sheet cristalino blk nl	(BLX)
95 15001979	Products label's sheet cristalino blk eng	(AUS) (GB)
96 1863.A13	Ass.support coin box	
97 15000256	Instr./accepted coins label fs400 f	(BLX) (CH) (F)
97 15000257	Instr. label/accepted coins fs400	(CH) (D)
97 15000258	Instr.label/accepted coins fs400 p	(P)
97 15000259	Instr./accepted coins label fs400 e	(E)
97 15000260	Instr./accepted coins label fs400 ch	(CH)
97 15000261	Instr./accepted coins label fs400 nl	(BLX)
97 15000262	Instr./accepted coins label fs400 uk	(AUS) (GB)
97 15000263	Instr./accepted coins label fs400 i	(CH) (I)
97 15001980	Instruction label cristalino blk ita	(CH) (I)
97 15001981	Instruction label cristalino blk fra	(BLX) (CH) (F)
97 15001982	Instruction label cristalino blk de	(CH) (D)
97 15001983	Instruction label cristalino blk por	(P)
97 15001984	Instruction label cristalino blk esp	(E)

Pos. Code	Description	Note
97 15001986	Instruction label cristalino blk nl	(BLX)
97 15001987	Instruction label cristalino blk eng	(AUS) (GB)
98 0701.995	Price labels black euro	
98 0775.989	Price labels white euro	
99 11001833	Fs400 superior column panel	up to s.n.9006FS40001662
99 11003417	Red pearly upper column panel	from s.n.9006FS40001663
99 11014273	Black fs400 superior column panel	
100 11001832	Fs400 introduction coins panel	up to s.n.9006FS40001662
100 11003416	Red pearly coin introduction panel	from s.n.9006FS40001663
100 11006391	Panel coin input	(RU)
100 11014265	Fs400 introduction coins panel blk	
100 11014267	Panel coin input black	
101 15000325	Italian time label d=60mm	
102 1863.060	Ass.box	
103 11006390	Plate closed banknote readers	(RU)
104 U044.016	Screw tsp m4,0x16 uni 7688 galv.	(RU)
105 9111.355	Spring for change button	
106 11000392	Button recovery coins	
106 11001795	Coin recovery button red	
106 11006846	Pulsante recupero monete gry	
107 11021831	Assembly coin box	
108 11001836	Fs400 standard grill	
109 0875.365	Sup.coin box	
110 9111.614	Coin box anchoring pin	
111 0875.357	Ass.fixing plate coin box	
112 U110.005	Screw aut.tcb 3,9x9,5 din 7981 f	
113 1602.147	Bush for door connecting rod	
114 1863.046	Coin box support	
115 123160302	Nut m3 high uni 5587 galvanized	
116 U207.003	Plain washer 3,2x7 uni 6592 gal	
117 U701.011	Snap ring 5 uni 7434	
118 11004932	Adjustment pin plate coin box	
119 0701.R29	Key ka 35	
120 NV02.094	Token lock viro	
121 11012748	Coin box case lid ass. new	
122 0875.271	Handle for coin case	
123 11021832	Money box assembly	
124 NF11.026	Expansion rivet d.3,9x8 alu.	
125 11001583	Lever for lock	
126 11011665	Coin box hopper	
127 1863.064	Cover coin box	

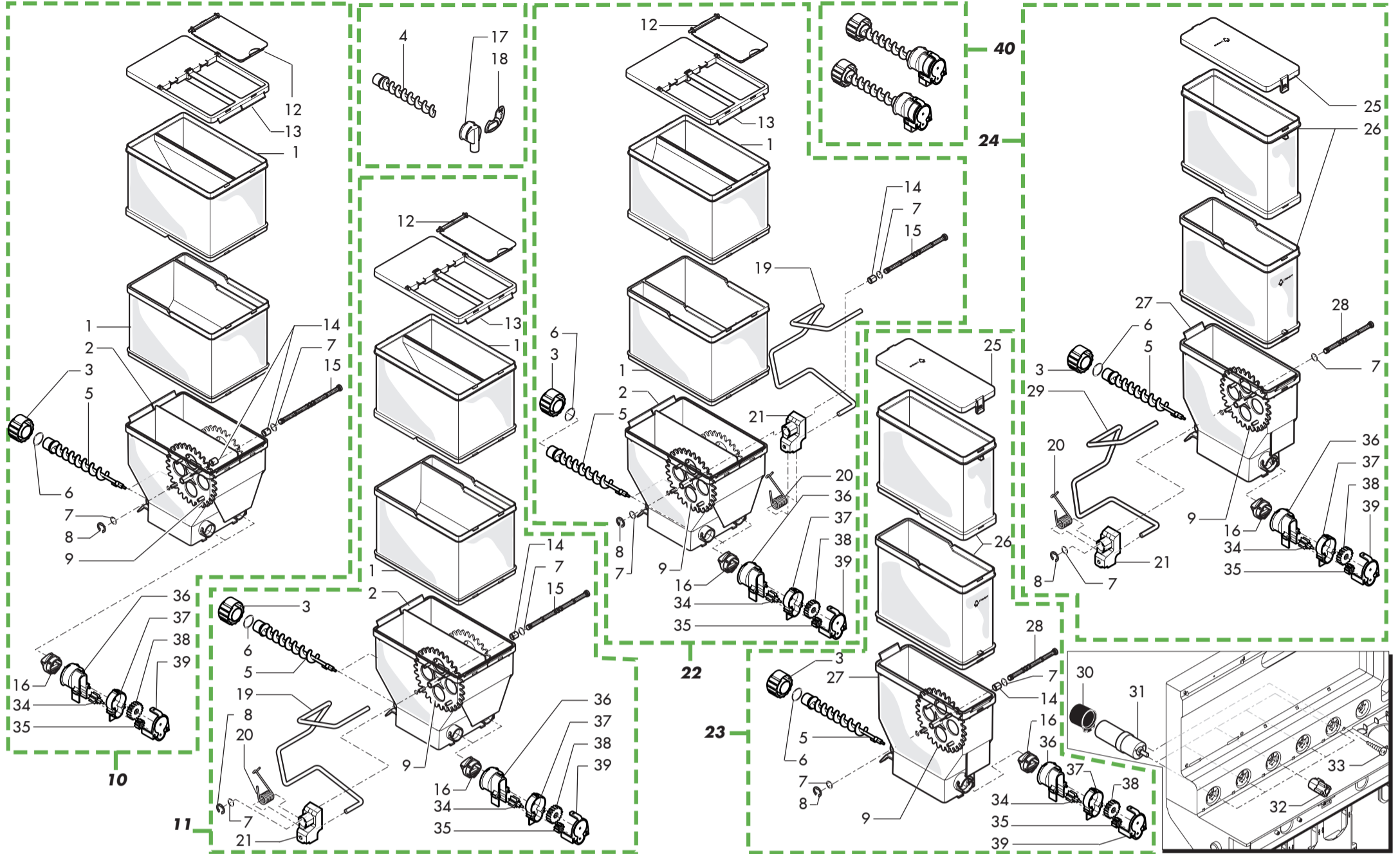
VENDING MACHINE SAECO CRISTALLO 400

TABLE 5/18 **E018.063.05**
fino a matr. 9007FS40009083



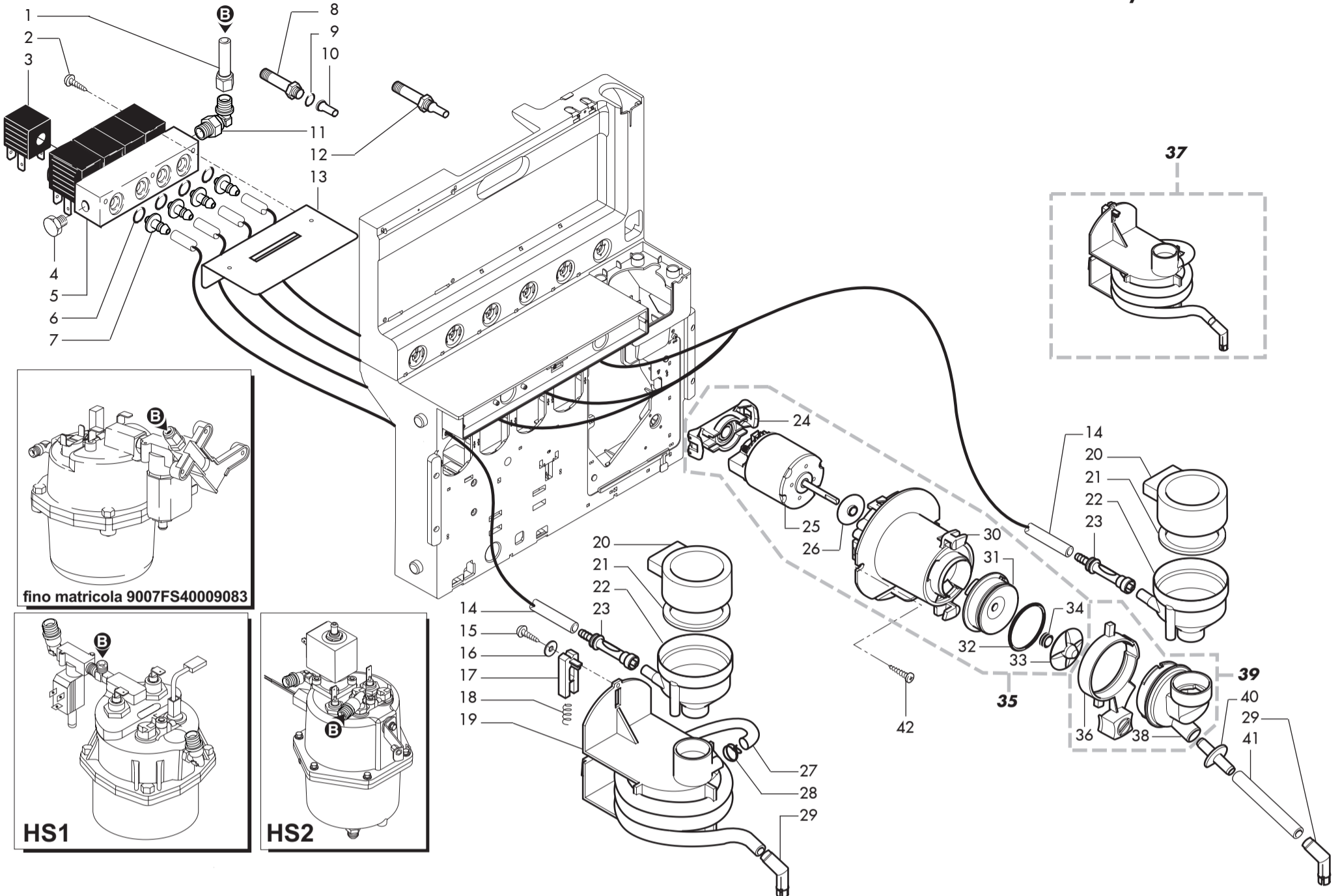
Pos. Code	Description	Note
1	144650300	Aspiration filter gauze net 500 (new)
2	9972.022	Silicone tubr 5x8 l.2mt
3	NV99.099	Turbine d=1,2 932-8521/00 assy.
4	NF13.006	Ring for pin d.3 quiclock zinc
5	147920150	90° inlet pump connector
6	149185850	Eaton pump support 4002012 magic
7	9991.009	Inside bush d.4
8	9991.008	External bush d.6
9	9991.007	"nut for connector 1/8""
10	9971.015	Teflon tube 4x6 l.2 mt
11	11005590	Safety valve/non return ass. new
12	140321961	#n/d
13	9070.042.00A	Ulka pump ex5 sd1
13	9070.042.00N	Ulka pump ex5 sd1
14	9070.043.00A	Ulka pump ex5 sd1 +non return
14	9070.043.00N	Ulka pump ex5 sd1 +non return
15	9071.098	Reinforcement for ulka pump
16	9070.044.00F	Ulka pump ep5 d1
17	9070.045.00F	Ulka pump ass.ep5 d1 120v
18	9161.262.060	Drip channel cover
19	9111.597.050	Coffee discharge channel short
20	9972.301	Silicone tube 8x12 l.170 mm
21	NV99.072	Hose clamp d. 11.6/12.3
22	9972.335	Silicone tube 7x11 l.135 mm
23	NV03.006	Cap kapsto lpn 615/010
24	NV99.050	Hoseclamp d. 13.3/14.1
25	11001315	Silicone tube 8x12 l 950mm
26	NV99.004	Connector t moroni 8026047 d=8
27	9111.141	Discharge tube closure spring

Pos. Code	Description	Note
-----------	-------------	------



Pos. Code	Description	Note	
1	9111.681	Double extension 145	
2	9111.680	Base container double soluble	
3	11012130	Back bush reinforce	
4	9111.701	Scroll screw double container	up to s.n.9010FS40018105
5	11005180	Scroll screw for new dispenser aperture	from s.n.9010FS40018106
6	NM03.013	Or 2,3x15 nbr	
7	NM03.022	Or orm 0060-10 nbr	
8	U701.003	Snap ring 7 uni 7434	
9	9111.702	Wheel double container	
10	11024977	Assembled double tank easy dry	
11	11024981	Phedra assembled double tank	
12	9111.683	Soluble cover	
13	9111.682	Cover container double soluble	
14	9111.704	Bush for wheel	
15	9111.703	Double pin for wheel	
16	9111.630.060	Bush for powders tank	
17	9111.629.060	Aperture for solubles hopper	up to s.n.9010FS40018105
18	9111.338.270	Bulkhead for apert. closure orange	up to s.n.9010FS40018105
19	9111.736	Wire agitator	
20	9111.731	Spring	
21	11007155	Agitator support	
22	11024984	Assembled double tank	only x vers. 10000207 & 10003159
23	11024979	Assembly single container	
24	11024982	Assembly single container	
25	11001578	Cover container single soluble	
26	11001577	Extension container single soluble	
27	11001576	Base container single soluble	
28	11001580	Pin wheel container single soluble	
29	11006124	Wire agitator unified	
30	9121.155	Hood for ratiomotor	
31	9121.106.00P	Sugar ratiomotor 24v dc	
32	9111.131	Coupling for solubles motor	
33	U116.005	Screw aut.pt tcb 3,0x8 wn 1441	
34	11005169	Dispenser fan	from s.n.9010FS40018106
35	11005182	Wheel z=9	from s.n.9010FS40018106
36	11005181	New dispenser aperture	from s.n.9010FS40018106
37	11005167	Carter for gear	from s.n.9010FS40018106
38	11005183	Wheel z=18	from s.n.9010FS40018106
39	11005168	Lid carter gear	from s.n.9010FS40018106
40	21001290	Kit new powder dispensing system	from s.n. 9010FS40018106

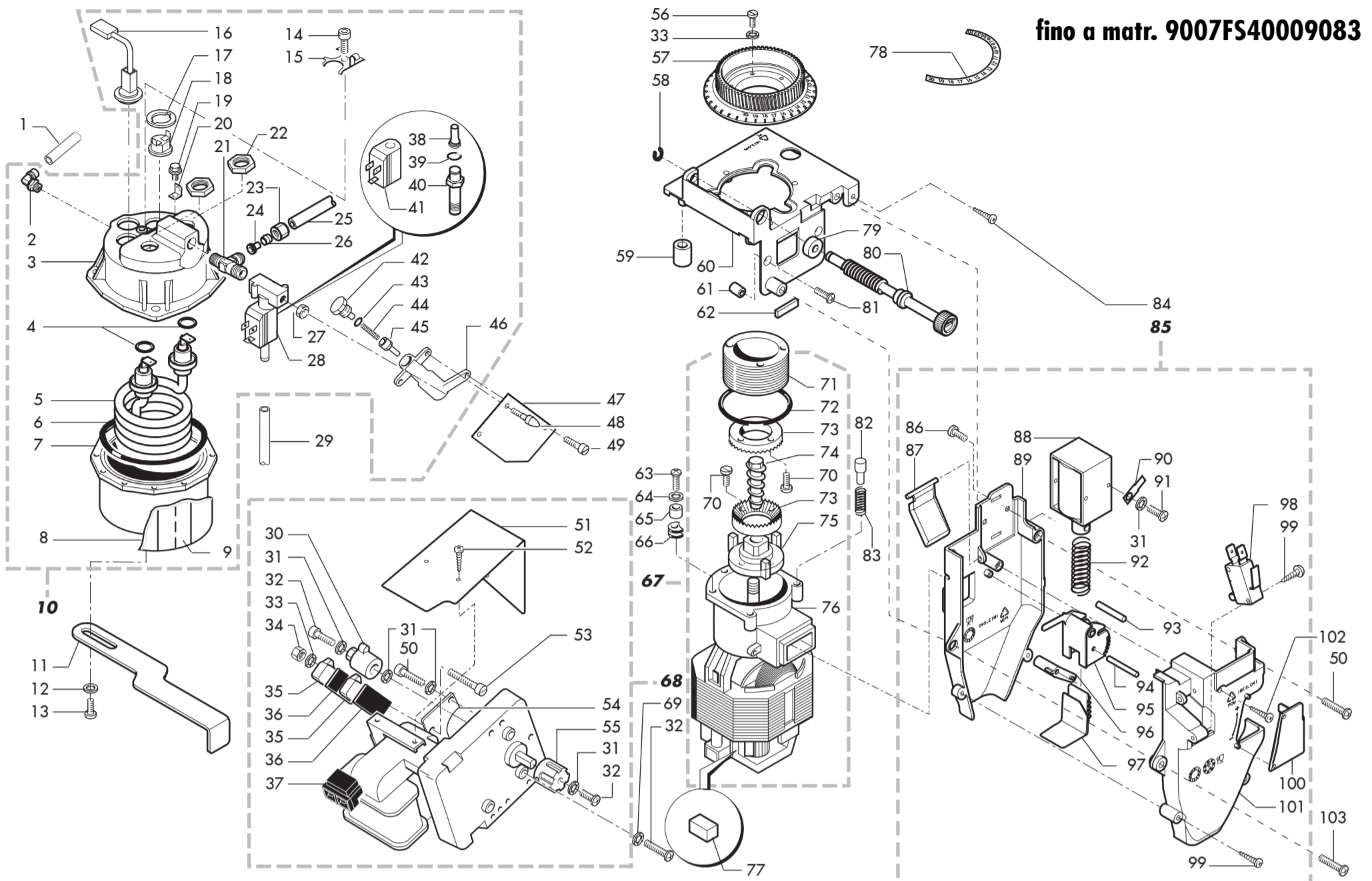
Pos. Code	Description	Note
-----------	-------------	------



Pos. Code	Description	Note
1	11025292	"teflon tube 3x6 l.230 1/8"-1/8"
1	11025297	"teflon tube 3x6 l.310 1/8"-1/8"
2	129516803	Screw tcb3,5x19 din 7981 nick
3	0862.R07	Solenoid for mm valve 3 way 24v dc
3	20005373	Solenoid x olab 24v dc 6000bh/bodn
4	NR07.040	Brass cap 1/8 gas conical
5	11009225	Block 4 electrovalve dc olab
5	11011470	Block 4 electrovalve dc olab tea
5	9121.156.00P	4 electrovalve dc block
6	NM01.004	Or 2025 silicone
7	11011453	Rubber holder connector tea
8	0875.R09	Tube
9	0875.R10	Or x tube
10	0875.R11	Nucleus for spring
11	11025082	"1/8" g m/conical orient. nut/ogv"
12	20005374	Ass.nucleus 6000bh/bodn x 11009225
13	9111.713	Plate
14	9972.022	Silicone tubr 5x8 l.2mt
15	U116.005	Screw aut.pt tcb 3,0x8 wn 1441
16	U207.004	Plain washer 4,3x16 uni 6592 gal
17	9111.209.060	Cursor for spiral mixer fixing
18	9111.211	Spring for mixer cursor
19	9111.643.060	Rapid fixing mixer
20	9111.010.060	Lid for funnel brown
21	9111.011.060	Seal for funnel brown
22	9111.009.060	Funnel for powders brown
23	1863.A07	Espresso nozzle
24	9111.771.270	Motor coupling orange ral
25	9121.248.00P	Mixer motor '05 24v dc
26	9111.773.060	Motor protection ring
27	9972.320	Silicone tube 7x11 l.2000mm
28	NV99.087	Band d=11/11,6
29	9111.349	Elbow dispensing nozzle
30	9111.769.150	Mixer flange
31	9111.770.060	Cover mixer flange
32	NM03.012	Or orm 0320-25 nbr
33	9111.772.060	Disk fan
34	NM05.015	V-ring mixer '05
35	9110.160.06P	Ass.mixer '05 24v dc
36	9111.230.270	Mixer locking ring nut orange ral
37	1863.A10	Ass.mixer fs400
38	9111.227.060	Mixer casing
39	9110.027.060	Mix casing ass.
40	9111.232.060	Std tube holder sleeve
40	9111.233.060	Decaff.tube holder sleeve

only decaffeinato

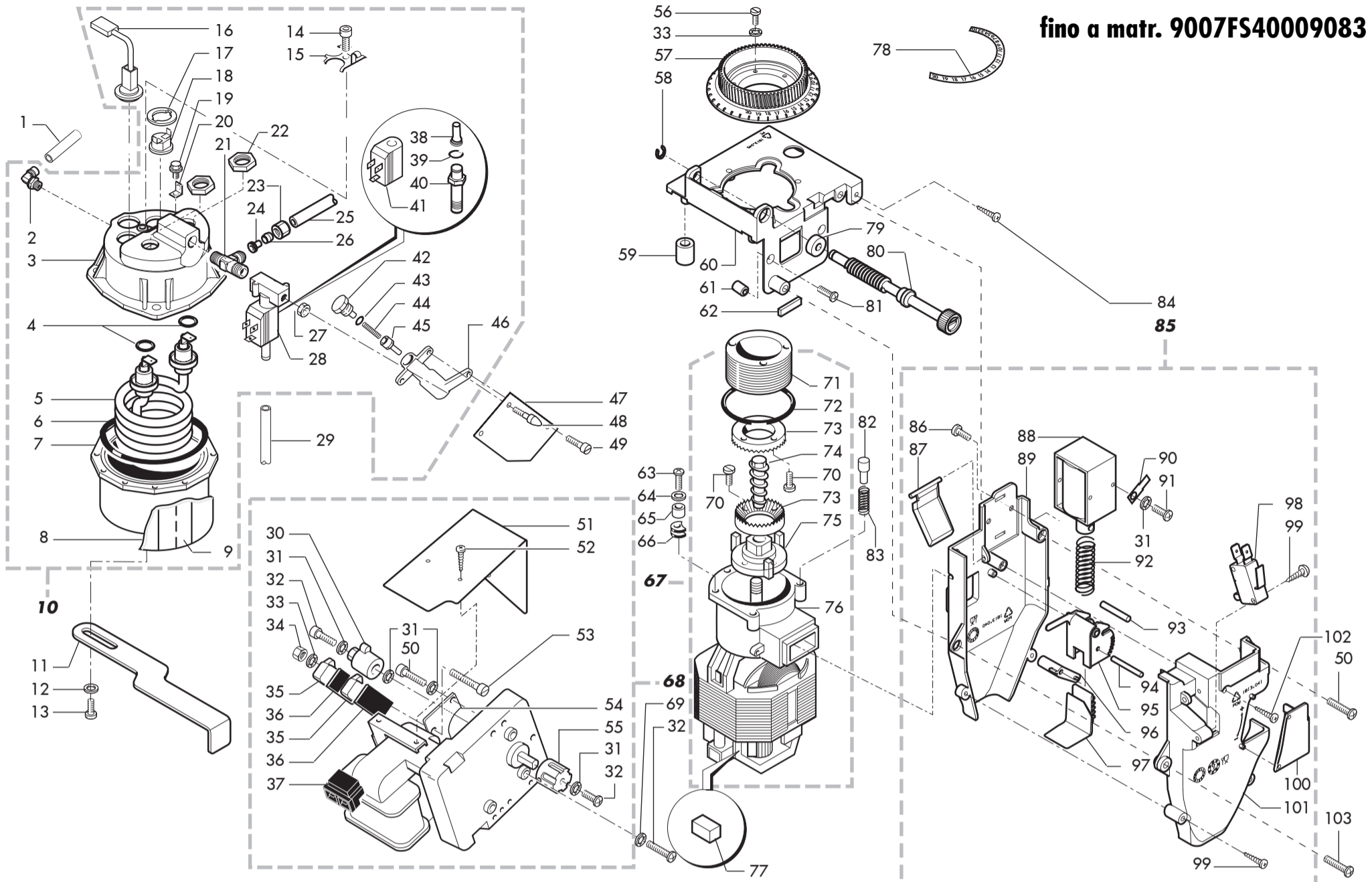
Pos. Code	Description	Note
41	9972.057	Silicone tube brown 5x8 l.2000 mm
42	U116.006	Screw aut.pt tcb 3,5x12 wn 1441



Pos. Code	Description	Note
1	9971.015	Teflon tube 4x6 l.2 mt
2	NR10.014	"connector 1/8" d.6 revolving"
3	11002259	Upper doser casing m6 tea
4	11000972	Or 3050 fkm 80 fd peroxidica
5	11007593	Res cald. v120 w1000 inc.800
5	9011.255.00A	Res cald.v230 w1000
6	NM04.010	Or orm 0730-40 fpm 70+-5 irhd black
7	9011.226	Upper oversize casing m6 vending
8	9011.254	Brass boiler isolator
9	9991.161	Water +steam boiler strap l=250 mm
10	11003769	Boiler ass. cristalino400 120v
10	11012477	Boiler ass.cristalino400 230v tea
11	9111.610	Chase boiler
12	U207.001	Plain washer 5,3x10 uni 6592 gal
13	U043.021	Screw tcb m5,0x8 uni 7687 galv.
14	12001052	Screw tcei m4,0x6 din 912 zin
15	226830200	Retain.spring 3 therm. +thermal fuse
16	11000090	Ass.sensor fs400
16	11003810	Sensor ass.cristalino400 120v
17	9991.085	Thermostat fixing washer
18	NE09.021	Thermostat 150°nc faston 90°
19	U023.020	Screw tcei m6x20 uni 5931 zin
20	NE15.031	Male tongue plain 6,3 d.6,3
21	9991.211	connector for boiler"
21	9991.213	"connector ""t"" for boiler"
22	9991.029	Nut for resistor
23	9991.007	"nut for connector 1/8""
24	9991.009	Inside bush d.4
24	9991.129	Internal bush d.4 brass nik
25	9971.051	Teflon tube 4x6 l.250 mm
26	9991.008	External bush d.6
27	9991.035	Nut 1/8 h 4.5
28	9121.145.00P	Electrovalve 3 ways
29	9972.022	Silicone tubr 5x8 l.2mt
30	9991.012.050	Cam for ratiomotor black
31	128310404	Washer uni 8842 a4 burnished
32	129824002	Tcb screw m4x10 uni 7687 znp
33	U208.002	Toothed washer 3,3x5,8 uni 3703 g
34	U302.002	Nut hexagonal m3 uni 5588
35	NE05.066	Microswitch cherry d419q1a
36	9991.014	Card for micro switches
37	9121.008.00A	Ratiomotor 30 pack 230/240v
37	9121.008.00F	Ratiomotor 30 pack 120v
37	9121.008.00N	Ratiomotor 30 pack 220v 60hz
38	0862.R16	Ass.nucleus
39	0862.R17	Orm 0-100 10x1.5 nbr up coil
40	0862.R15	Ass.tube 3/2 ways

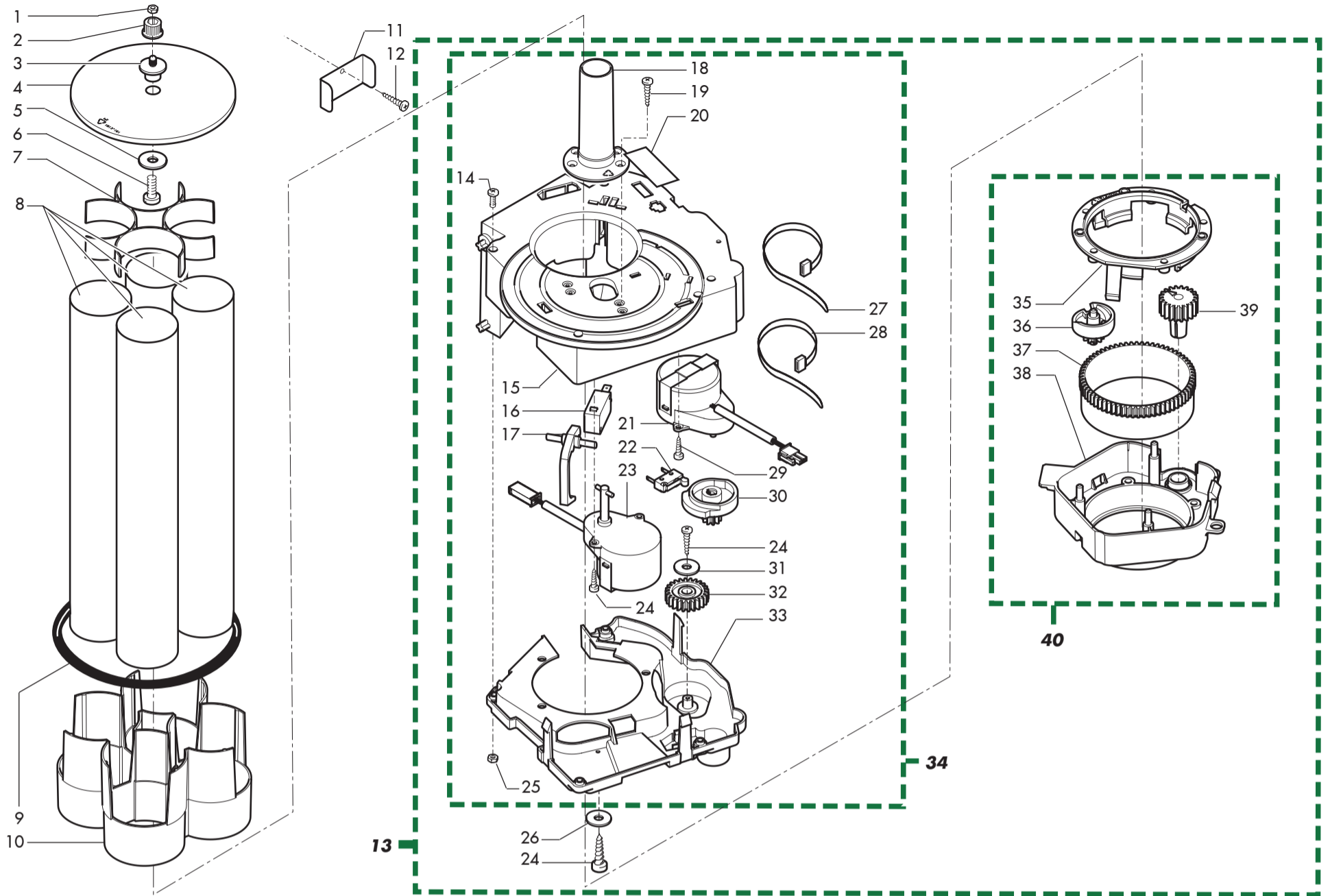
Pos. Code	Description	Note
41	0862.R07	Solenoid for mm valve 3 way 24v dc
42	9991.212	Connector boiler support
42	9991.214	Connector nik boiler support
43	140321462	Or 2018 in silicone
44	126765317	Steel spring boiler piston magic
45	9019.A01	Pin ass.
45	9019.A20	Pin ass. brass nik
46	9161.213	Boiler teflon support
46	9161.271	Brass boiler support nik
47	9111.473	Insulator for boiler support
48	9011.005	Peg for boiler
49	U044.013	Screw tspc m4,0x12 uni 7688 galv.
50	129825502	Tcb screw m4x25 uni 7687 znp
51	11004265	Central unit motor steel carter
52	129511903	Screw tcb 2,9x6,4 din 7981 bz nick
53	U034.001	Screw tci m3,0x30 uni 6107 galv.
54	9991.015	Plate for micro
55	9991.013	Joint for ratiomotor
56	U043.007	Screw tcb m3,0x8 uni 7687 galv.
57	1813.103.A20	Ring nut of grind regulation
58	U701.011	Snap ring 5 uni 7434
59	1813.046.050	Rubber grind support
60	1813.045.A20	Grind support
61	1813.097.A20	Spacer
62	1813.177	Support seal
63	U043.004	Zn-b tcb screw m4x16
64	U203.001	Plain washer 4,3x8 uni 1749 gal
65	9141.003	Spacer for rubber
66	9991.005	Rubber for coffee grinder
67	9140.001.00A	Coffegrinder motor ass.220/230v
67	9140.001.00F	Coffegrinder motor ass.120v
68	11003768	Ass.ratiomotor cristalino400 120v
68	11005172	Ass.ratiomotor cristalino400 220/60
68	9120.060.00A	Ass.ratiomotor for da 230v fs400
69	U207.002	Plain washer 4,3x9 uni 6592 gal
70	129761402	Tc screw m3x8 uni 6107 znp
71	9141.008	Knob adjustment screw
72	140321560	Or 3187 in nbr
73	9141.081	Flat mill d.43 titanium
74	9141.001	Brass ncrement screw mc
75	9141.007	Fan
76	9140.002.00A	Motor ass.with cap 230v
76	9140.002.00F	Motor ass.with cap 120v
77	0701.R34	Motor brush
78	15000422	Label graduation grinding
79	1813.159	Antivibration rubber
80	1813.104.A20	Adjustment screw with tube holder

fino a matr. 9007FS40009083

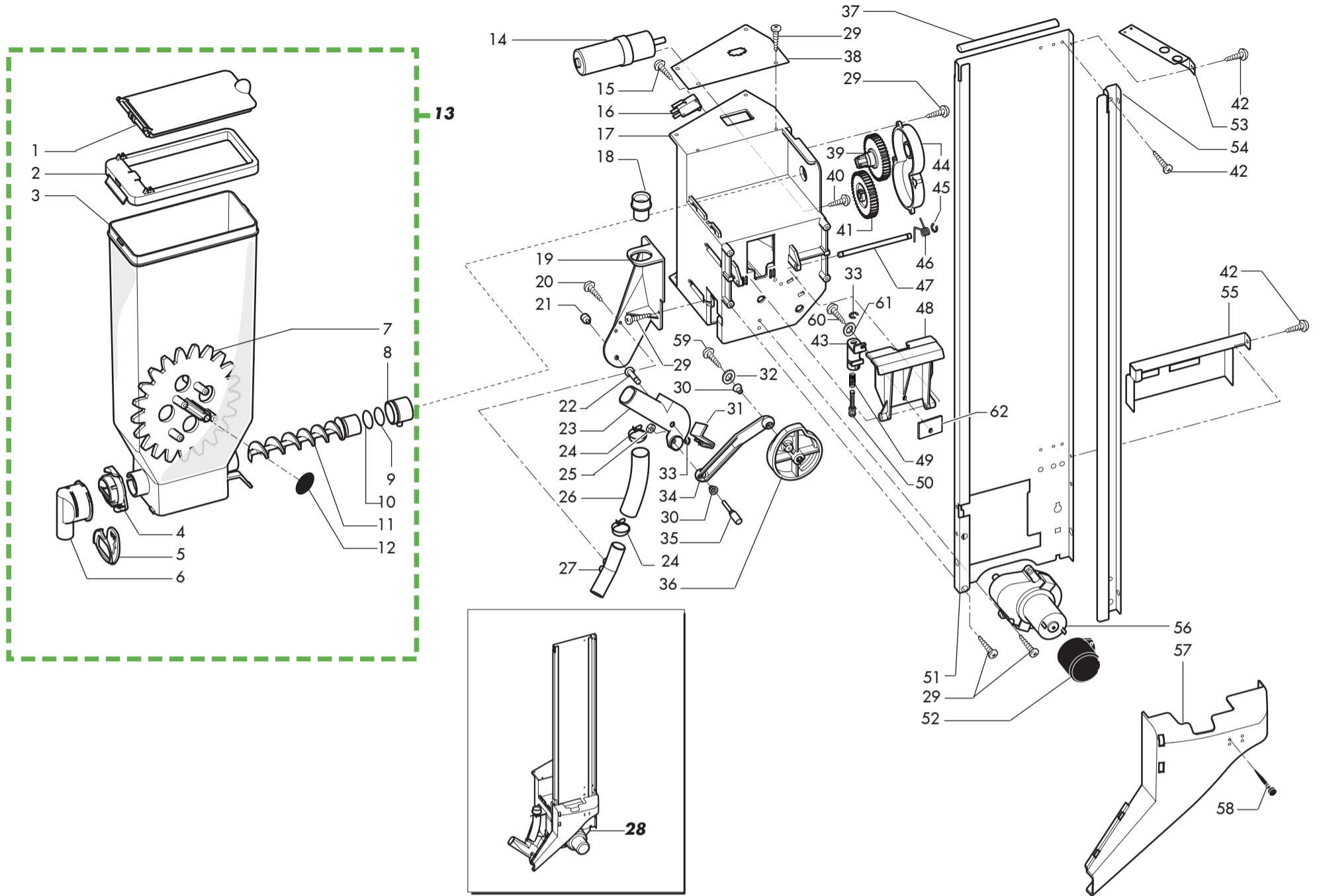


Pos. Code	Description	Note
81	U044.022	Screw tpc m5,0x8 uni 7688 galv.
82	9141.005	Knob pin
83	126769118	Spring for knob stop pin (h=19)
84	U116.006	Screw aut.pt tcb 3,5x12 wn 1441
85	1813.A10.A2A	Doser ass. 6-11 gr.
85	1813.A10.A2F	Doser ass. 6-11 gr.120v ul
85	1813.A10.A2N	Doser ass. 6-11 gr. 220v 60hz
86	129851921	Tsp screw m3x6 uni 7688 ss
87	1813.042.A20	Dispenser pallet
88	9121.235.00A	Electromagnet for dispenser with nucleus
88	9121.235.00F	Electromagnet x dispenser w/nucleus 120v
88	9121.235.00N	Electromagnet x dispenser w/nucleus 220v
89	1813.040.A20	Dispenser shell
90	NE15.003	Male tongue plain 6,3 d.5,2
91	U043.020	Screw tc bc m3,0x6 uni 7687 galv.
92	1813.127	Spring for electromagnet
93	1813.092	Pin
94	1813.091	Pin for dispenser regulation
95	1813.043.A20	Dispenser regulation
96	1813.078.A20	Adjustment lever
97	1813.044.A20	Pallet for regulation
98	NE05.062	Microswitch + wheel
99	U116.004	Screw aut.pt tcb 3,0x16 wn 1441
100	1813.191.A20	Dispenser cover
101	1813.041.A20	Outside shell dispenser
102	129514003	Screw tcb 2,9x22,2 din 7981 nick
103	U043.011	Screw tc bc m4,0x12 uni 7687 galv.

Pos. Code	Description	Note
-----------	-------------	------

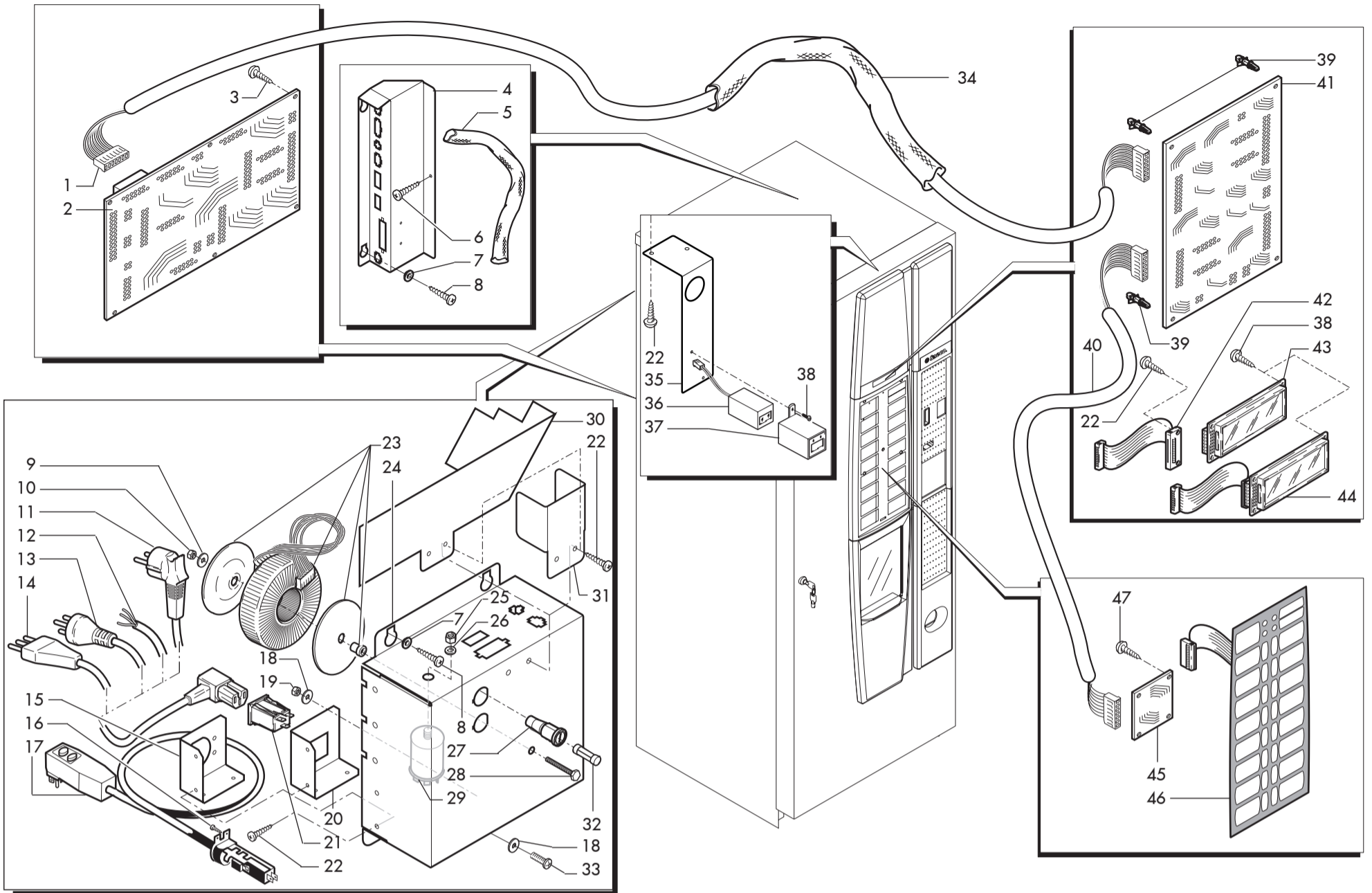


Pos. Code	Description	Note	Pos. Code	Description	Note
1	U302.001	Nut hexagonal m5 uni 5588	40	11000863	Assembly support
2	9111.319.270	Knob for arm			
3	11010585	Central pin for cup column			
4	1813.161.A20	Tank lid			
5	U207.009	Plain washer 5,5x15 uni 6593 ga			
6	U043.021	Screw tcbc m5,0x8 uni 7687 galv.			
7	11005072	Cup tube fixing spring			
8	1863.054	Cup tube			
9	NM02.002	Or 4412 epdm			
10	11000976	Tank drinks			
11	1813.162	Bracket stop dispencer			
12	U110.004	Screw aut.tcb 3,5x6,5 din 7981 f			
13	11004750	Ass. cup dispenser 120v d.73			
13	11009152	Cristallo400 assembled dispenser d.73			
13	9110.140.A2A	Cup distributor ass.			
14	U034.001	Screw tci m3,0x30 uni 6107 galv.			
15	11000785	Upper casing dispenser glasses			
15	11000868	Casing upper cup distributor ul	only UL		
16	NE05.065	Microswitch cherry d41rq3aa			
17	1813.067.A20	Lever			
18	11000642	Tube for basket glasses			
19	U142.008	Panelvit tsp 3,5x12 din 7505 a gal			
20	11001467	Adhesive label pvc 54x30 mm			
21	9121.226.00A	Motor saia uds 5 rpm 220v			
21	9121.226.00F	Ratiomotor saia uds 5rpm 120v 60hz			
22	NE05.064	Microswitch saia v4nc			
23	11000391	Motor saia uds1nd5m75can2wz239			
23	11000481	Motor saia cup dispenser d6 pivot 120v			
24	U116.005	Screw aut.pt tcb 3,0x8 wn 1441			
25	U324.005	Nut m3 flanged indented base			
26	U212.006	Washer 3,2x11x0,5 znp			
27	NF11.002	Self lock strip w=2.5 l=98			
28	144320200	Self lock strip w=2.6 l=200			
29	U109.005	Screw aut.tcb 3,5x16 din 7981 c			
30	1863.066.A20	Disengage cam glasses			
31	U201.001	Plain washer 3,2x9 din 7349 gal			
32	1813.068.A20	Toothed wheel			
33	1813.062.A20	Lower casing dispenser glasses			
33	1813.308.050	Lover casing dispenser glasses ul	only UL		
34	11003955	Fs400 ul assembl.cup disp. group			
34	9110.151.A2A	Dispenser ass.			
35	11000786	Retaining ring			
36	1813.072.A20	Snail for glasses d.70			
37	1813.073.A20	Toothed wheel for snail			
38	11000833	Snail support			
39	1813.074.A20	Toothed wheel			
40	11000835	Ass.snail support			



Pos. Code	Description	Note
1	9111.683 Soluble cover	
2	9111.696 Cover sugar container	
3	9111.685 Sugar container	
4	9111.630.060 Bush for powders tank	
5	9111.338.270 Bulkhead for apert. closure orange	
6	9111.629.060 Aperture for solubles hopper	
7	9111.725 Container wheel sugar	
8	11005457 Rear bush new	
9	140328461 Epdm or metric 0190-10	
10	NM03.013 Or 2,3x15 nbr	
11	9111.726 Scroll screw sugar container	
12	9111.646 Adhesive for tank	
13	9110.137 Sugar cont. ass.	
14	9121.106.00P Sugar ratiomotor 24v dc	
15	U110.007 Screw aut.tcb 2,9x16 din 7981 f znp	
16	NE05.002 Microswitch	
17	9111.684.A20 Support stirrer	
18	9111.699 Aperture sugar tube	
19	9111.686.A20 Support sugar conveyer	
20	U110.003 Screw aut.tcb 3,5x9,5 din 7981 f	
21	11000388 Knob m3 sugar conveyer	
22	11000389 Grained pivot sugar conveyer	
23	9111.690 Sugar conveyer	
24	9111.553 Self-energizing spring for tube d.2	
25	123160302 Nut m3 high uni 5587 galvanized	
26	9111.700 Sugar tube	
27	9111.697 Connector sugar tube	
28	11013180 Assembly sugar/spoons dispenser 120v ul	
28	9110.138 Distrib.ass. stirrer /sugar	
29	U116.006 Screw aut.pt tcb 3,5x12 wn 1441	
30	9111.705 Spherical pin	
31	9111.727 Bulkhead sugar conveyer	
32	U201.001 Plain washer 3,2x9 din 7349 gal	
33	U701.011 Snap ring 5 uni 7434	
34	9111.691 Connecting rod sugar dispenser	
35	11004295 Knob for sugar connecting rod pipe	
36	9111.688.A20 Cam sugar dispenser	
37	9111.668 Stirrer disp.counterweight d.10	
37	9111.669 Stirrer disp.counterweight d.10	
37	9111.745 Stirrer disp.counterweight	
38	9111.707 Reinforcing plate	
39	9111.694 Joint with gear	
40	U116.005 Screw aut.pt tcb 3,0x8 wn 1441	
41	9111.695 Gear z40	
42	U110.004 Screw aut.tcb 3,5x6,5 din 7981 f	
43	9111.737 Support	
44	9111.687.A20 Gear cover	

Pos. Code	Description	Note
45	U701.006 Snap ring 3,2 uni 7434	
46	9111.730 Spring	
47	9111.376 Pin for stirrer expeller	
48	11011240 Stirrer expeller black new	
49	9111.729 Spring	
50	11002209 Pin	
51	11009886 Stirrer guide cristalino400 new	
52	9121.155 Hood for ratiomotor	
53	9111.706 Bracket for stirrer guide	
54	9111.693 Stirrer guide	
55	9111.739 Carter stirrer expulsion	
56	11025284 Motoriduttore fiber 37rpm	from s.n.9011FS40018651
56	9121.107.00P Stirrer ratiomotor fiber	up to s.n.9011FS40018650
57	9111.698.A20 Stirrer slide	
58	9161.082 Rubber coupler	only stirrer disp. 90
59	U116.004 Screw aut.pt tcb 3,0x16 wn 1441	
60	U117.003 Screw aut.pt tcb 2,5x10 wn 1442	
61	U207.003 Plain washer 3,2x7 uni 6592 gal	
62	11025089 Plate reinforcement	

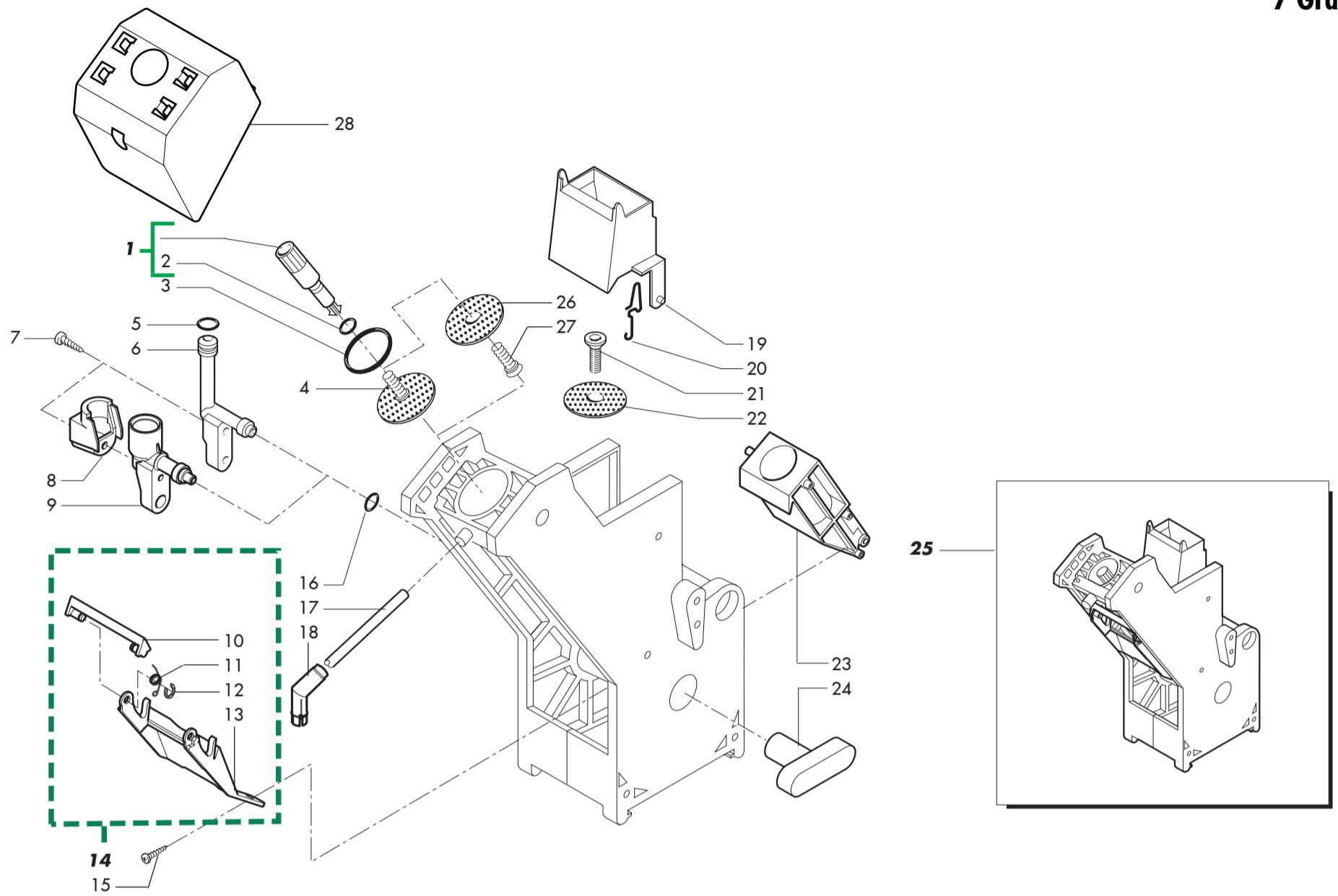


Pos. Code	Description	Note
1	1863.603	Flat cable
2	1863.636	Power card fs400
3	U116.006	Screw aut.pt tcb 3,5x12 wn 1441
4	1863.070	Box
5	11001619	Cable tube l.520 mm
6	U109.003	Screw aut.tcb 3,5x9,5 din 7981 c
7	0875.207	Pin for boss d.8
8	U109.016	Screw aut.tcb 3,9x13 din 7981 c
9	U207.013	Plain washer 6.5x18 uni 6592 galv
10	U310.004	Nut self lock.m6 uni 7473
11	NE01.050	Cable schuko with plug en60320 c1
12	NE01.054	Cable with plug en60320 c13
13	NE01.053	Cable austral. +plug en60320 c13
13	NE01.093	Cable argentina +plug en60320 c13
14	NE01.051	Cable switzerland with plug en603
15	11003906	Usa cable support electronic parts box
16	U110.005	Screw aut.tcb 3,9x9,5 din 7981 f
17	11008469	Power cable usa 3 pole 15a
18	U208.003	Toothed washer 5,1x9 bru
19	U302.003	Nut hexagonal m4 uni 5588
20	11000546	Power connector support
21	11014024	Cup socket with filter
22	U110.003	Screw aut.tcb 3,5x9,5 din 7981 f
23	NE19.023	Toroidal transformer combi 240v
23	NE19.028	Toroidal transformer fs 400
24	1863.045	Aspiration casing for mixer
25	U302.007	Nut hexagonal m8 uni 5588
26	U208.009	Toothed washer 8,4x15 uni 3703
27	NE13.016	Fuse holder with screw on cap
28	U005.013	Screw te m6,0x70 uni 5739 galv.
29	12001353	Locking screw antdisturb filter 16a
30	11008600	Harness ul carter cristalino400
31	11003867	Safety plate for el.box connector
32	NE13.002	Fuse 6,3x32 8a 250v delayed
32	NE13.081	Fuse 6,3x32 16a 250v delayed ul
33	U043.011	Screw tcbc m4,0x12 uni 7687 galv.
34	11003521	780mm cable tube
35	1863.027	Piastrina contaimpulsu
36	NE13.025.00P	Impulse counter keisu gx-06r 24v
37	9991.140.050	Impulsecounterholder keisu gx-06r
38	U116.005	Screw aut.pt tcb 3,0x8 wn 1441
39	NF11.048	Spacer for cpu card
40	0875.650	Flat connector touch panel/cpu
41	11022282	Cpu+sw as.cristallo400 hs2
41	11023404	Cpu+sw as. cristalino400 espresso
41	11026055	Cpu+sw as cristalino400/600 esp/ttt

Pos. Code	Description	Note
42	11021700	Flat cable 16 poles l.300mm
42	1863.631	Flat cable
43	11000299	Display fs400 grey
44	192200500	20x2 lcd blue display stn + flat
45	0875.651	Touch panel connection card
46	11001850	Red fs400 membrane keyboard
46	11014247	Switch pushbutton grey
47	U110.004	Screw aut.tcb 3,5x6,5 din 7981 f

only with 192200500

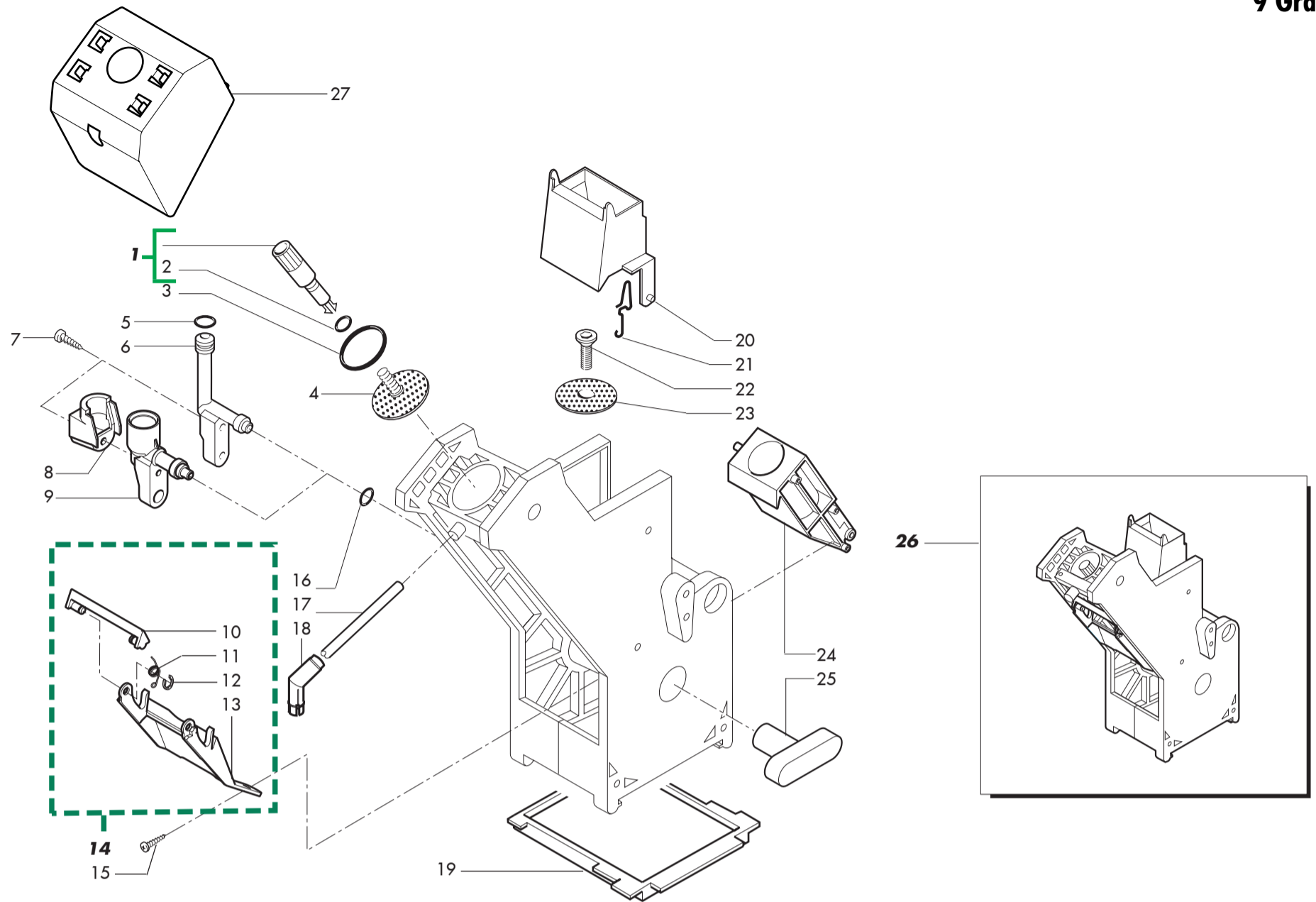
7 Grammi



Pos. Code	Description	Note	
1	9169.A14.060	Pin for percolator brown	
2	NM02.006	Or r5 termoil	
3	140322061	Or 4112 in epdm	
4	324000100	Ss percolator d=34 screw for unit	up to s.n.9010FS40017057
5	140320461	Or orm 0080-20 in termoil	up to s.n.9007FS40009083
6	322000501	Waterflow piston brown	up to s.n.9007FS40009083
7	129512921	Screw tcb torx 10 ab 2,9x13 sheet ss	
8	11010013	Carter for muff preheating unit	from s.n. 9007FS40009084
9	11005371	Unit coffee muff	from s.n. 9007FS40009084
10	9111.537.060	Brown scraper coffee group	
11	9111.520	Spring for scraper section 0.6	
12	U701.006	Snap ring 3,2 uni 7434	
13	9111.539.060	Fork for scraper	
14	9110.067.060	Scraper ass.for cappuccinat. tube	
15	U110.013	Screw aut.tcb 3,9x6,5 din 7981 f	
16	140321462	Or 2018 in silicone	
17	9972.057	Silicone tube brown 5x8 l.2000 mm	
18	9111.349	Elbow dispensing nozzle	
19	322001201	Mobile scraper brown narrow	
20	9161.425	Spring for scraper	
21	129851921	Tsp screw m3x6 uni 7688 ss	
22	324000200	Ss percolator d=34 for unit	
23	222711101	Gr cof.cont.bro.d=36 w/o holes ras	
24	9161.021.060	Key for brew unit brown	
25	11005421	Brew unit 7 grams cristallo600	from s.n. 9007FS40009084 up to s.n.9010FS40017057
25	11023330	Brew unit 7 grams cristallo600	from s.n. 9010FS40017058
25	9160.078.060	Brown brew unit da 10p 7 grams	up to s.n.9007FS40009083
26	11012630	Percolator d.34	from s.n. 9010FS40017058
27	129852821	Tsp screw m3x14 uni 7688 ss	from s.n. 9010FS40017058
28	11013053	Carter for doser unit	

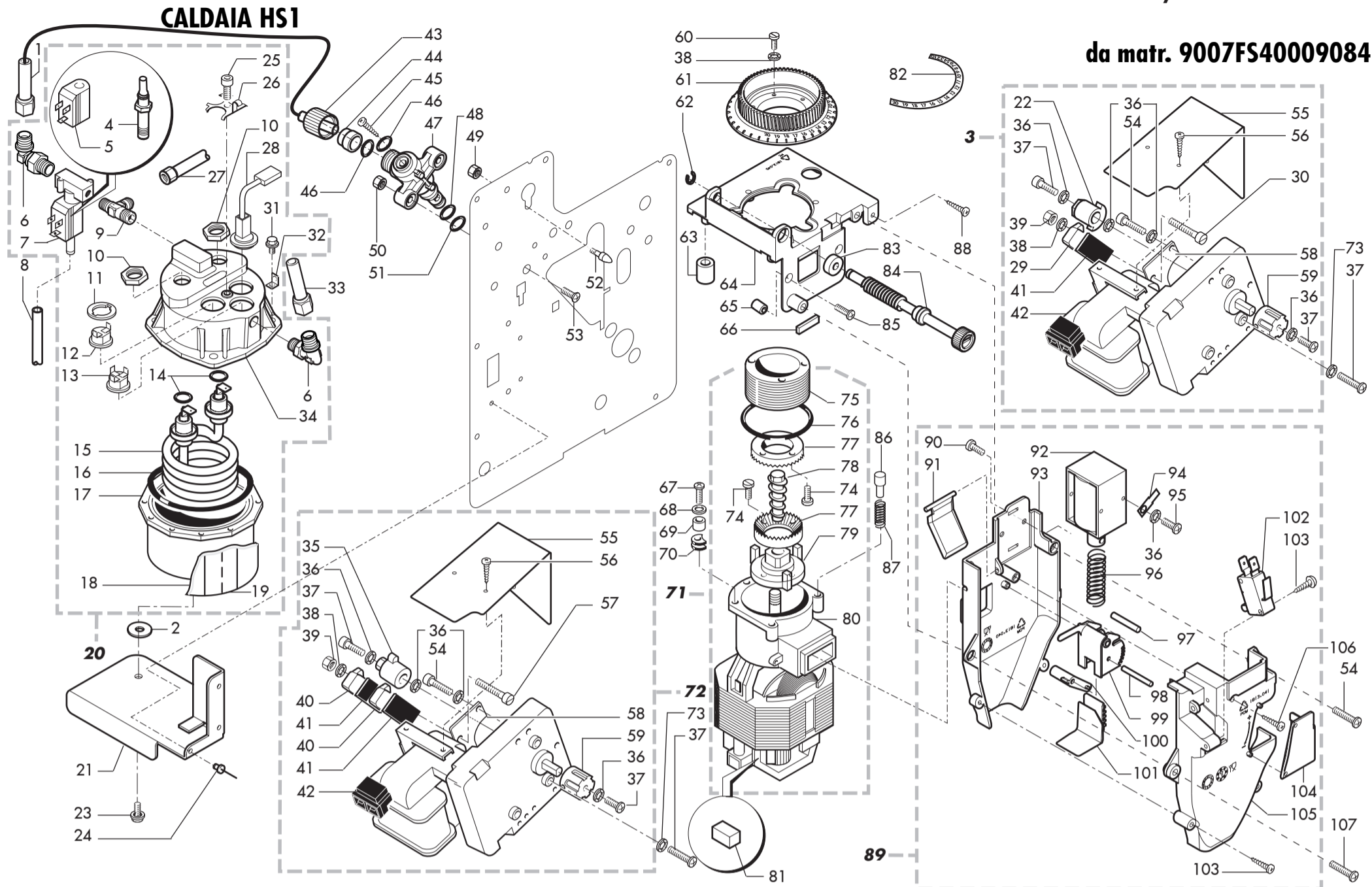
Pos. Code	Description	Note

9 Grammi



Pos. Code	Description	Note	
1	9169.A14.150	Pin fop percolator grey	
2	NM02.006	Or r5 termoil	
3	NM01.044	Or orm 0320-40 in silicone ptfe/fda	
4	9161.036	Upper percolator for unit	
5	140320461	Or orm 0080-20 in termoil	up to s.n.9007FS40009083
6	322000559	Water flow piston grey	up to s.n.9007FS40009083
7	129512921	Screw tcb torx 10 ab 2,9x13 sheet ss	
8	11010013	Carter for muff preheating unit	from s.n.9007FS40009084
9	11005371	Unit coffee muff	from s.n.9007FS40009084
10	9111.537.150	Grey scraper coffee group	
11	9111.520	Spring for scraper section 0.6	
12	U701.006	Snap ring 3,2 uni 7434	
13	9111.539.150	Fork for scraper	
14	9110.067.150	Scraper ass.for cappuccinat. tube	
15	U110.013	Screw aut.tcb 3,9x6,5 din 7981 f	
16	140321462	Or 2018 in silicone	
17	9972.057	Silicone tube brown 5x8 l.2000 mm	
18	9111.349	Elbow dispensing nozzle	
19	9161.020.060	Plate for coffee unit brown	
20	322001259	Mobile scraper grey narrow	
21	9161.425	Spring for scraper	
22	129851921	Tsp screw m3x6 uni 7688 ss	
23	9161.037	Lower percolator for unit	
24	11002626	Ass. coffee container grey 9 gr.	
25	9161.021.060	Key for brew unit brown	
26	11005422	Brew unit 9 grams cristallo600	from s.n. 9007FS40009084
26	9160.079.150	Brew unit 9 grams	up to s.n. 9007FS40009083
27	11013053	Carter for doser unit	

Pos. Code	Description	Note
-----------	-------------	------



Pos. Code	Description	Note
1	11025406	Tube assembly teflon 3x6 l.250mm
2	9111.501	Insulation washer
3	11025216	Ass.ratiomotor for da 230v fs400
3	11025217	Ass.ratiomotor for da 220/60 fs400
3	11025218	Ass.ratiomotor for da 120v fs400
4	20006550	Nucleus olab 230v e.v. ambra
5	20005373	Solenoid x olab 24v dc 6000bh/bodn
6	11025082	"1/8""g m/conical orient. nut/ogv"
7	11023754	Electrovalve olab 3 ways 24v dc
8	9972.022	Silicone tubr 5x8 l.2mt
9	9991.211	"connector ""t"" for boiler"
9	9991.213	"connector ""t"" for boiler"
10	9991.029	Nut for resistor
11	9991.085	Thermostat fixing washer
12	NE09.021	Thermostat 150°nc faston 90°
13	189428700	Thermostat 175° 1nt-15l-5126
14	11000972	Or 3050 fkm 80 fd peroxidica
15	11007593	Res cald. v120 w1000 inc.800
15	9011.255.00A	Res cald.v230 w1000
16	NM04.010	Or orm 0730-40 fpm 70+-5 irhd black
17	9011.226	Upper oversize casing m6 vending
18	9011.254	Brass boiler isolator
19	9991.161	Water +steam boiler strap l=250 mm
20	11025318	Boiler ass. cristallo600 120v
20	11025319	Boiler ass. cristallo600 230v
21	11005639	Support plate boiler
22	9991.037	Cam for ratiomotor 1 micro
23	U046.005	Screw te m5,0x10 with washer
24	NF11.115	Blind rivets
25	12001052	Screw tcei m4,0x6 din 912 zin
26	226830200	Retain.spring 3 therm. +thermal fuse
27	11025292	"teflon tube 3x6 l.230 1/8""-1/8"
28	11000090	Ass.sensor fs400
28	11003810	Sensor ass.cristallo400 120v
29	NE05.002	Microswitch
30	U034.003	Screw tci m3,0x20 uni 6107 galv.
31	U023.020	Screw tcei m6x20 uni 5931 zin
32	NE15.031	Male tongue plain 6,3 d.6,3
33	11025297	"teflon tube 3x6 l.310 1/8""-1/8"
34	11002259	Upper doser casing m6 tea
35	9991.012.050	Cam for ratiomotor black
36	128310404	Washer uni 8842 a4 burnished
37	129824002	Tcb screw m4x10 uni 7687 znp
38	U208.002	Toothed washer 3,3x5,8 uni 3703 g
39	U302.002	Nut hexagonal m3 uni 5588
40	NE05.066	Microswitch cherry d419q1a
41	9991.014	Card for micro switches

Pos. Code	Description	Note
42	9121.008.00A	Ratiomotor 30 pack 230/240v
42	9121.008.00F	Ratiomotor 30 pack 120v
42	9121.008.00N	Ratiomotor 30 pack 220v 60hz
43	11005743	Knurled female hand bolt m14
44	11005741	Connector d.6
45	U109.037	Screw aut.tcb 4,8x13 din 7981 c
46	140321462	Or 2018 in silicone
47	11005370	Pin for muff
48	11013173	Or orm 0090-20 fkm 80 fd green peroxida
49	U302.001	Nut hexagonal m5 uni 5588
50	U302.003	Nut hexagonal m4 uni 5588
51	11013174	Or orm 0050-20 fkm 80 fd green peroxida
52	11006046	Peg for boiler
53	U044.013	Screw tpc m4,0x12 uni 7688 galv.
54	129825502	Tcb screw m4x25 uni 7687 znp
55	11004265	Central unit motor steel carter
55	11014251	Central unit motor steel carter
56	129511903	Screw tcb 2,9x6,4 din 7981 bz nick
57	U034.001	Screw tci m3,0x30 uni 6107 galv.
58	9991.015	Plate for micro
59	9991.013	Joint for ratiomotor
60	U043.007	Screw tcbc m3,0x8 uni 7687 galv.
61	1813.103.A20	Ring nut of grind regulation
62	U701.011	Snap ring 5 uni 7434
63	1813.046.050	Rubber grind support
64	1813.045.A20	Grind support
65	1813.097.A20	Spacer
66	1813.177	Support seal
67	U043.004	Zn-b tcb screw m4x16
68	U203.001	Plain washer 4,3x8 uni 1749 gal
69	U141.003	Spacer for rubber
70	9991.005	Rubber for coffee grinder
71	9140.001.00A	Coffegrinder motor ass.220/230v
71	9140.001.00F	Coffegrinder motor ass.120v
72	11003768	Ass.ratiomotor cristallo400 120v
72	11005172	Ass.ratiomotor cristallo400 220/60
72	9120.060.00A	Ass.ratiomotor for da 230v fs400
73	U207.002	Plain washer 4,3x9 uni 6592 gal
74	129761402	Tc screw m3x8 uni 6107 znp
75	9141.008	Knob adjustment screw
76	140321560	Or 3187 in nbr
77	9141.081	Flat mill d.43 titanium
78	9141.001	Brass ncrement screw mc
79	9141.007	Fan
80	9140.002.00A	Motor ass.with cap 230v
80	9140.002.00F	Motor ass.with cap 120v

VENDING MACHINE SAECO CRISTALLO 400

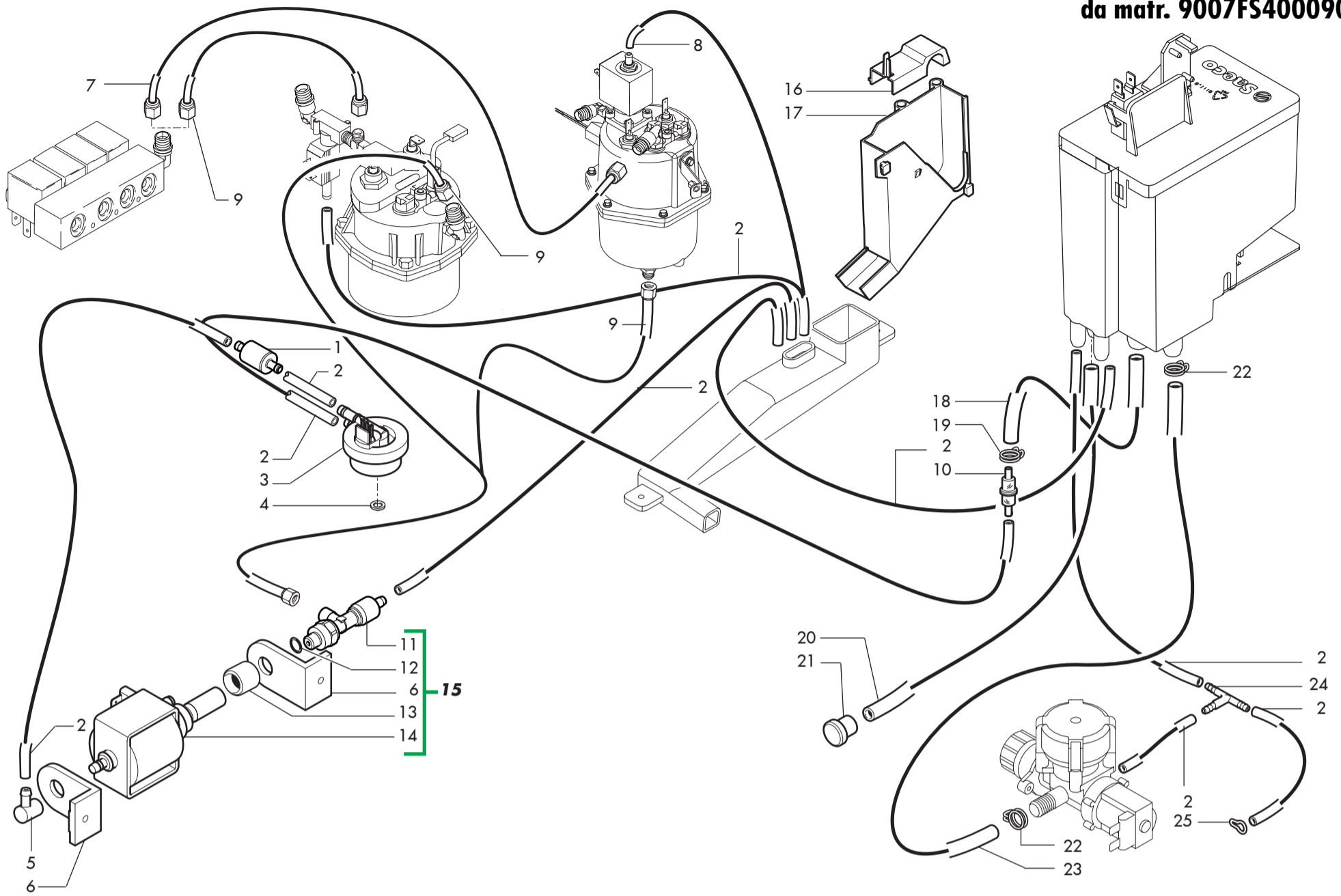
CALDAIA HS1

CALDAIA HS2

TABLE 17/18

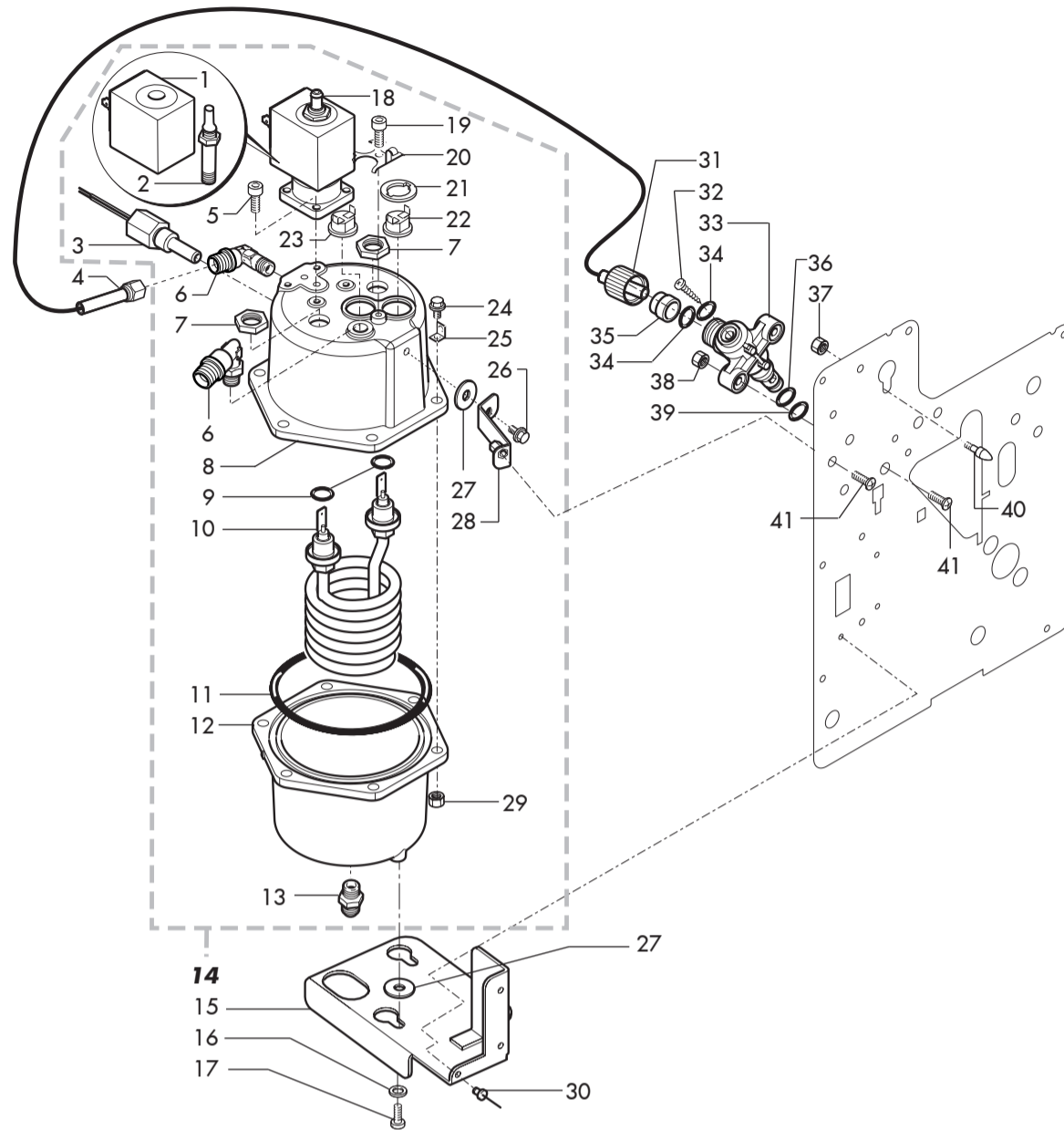
E018.063.017

da matr. 9007FS40009084



Pos. Code	Description	Note	Pos. Code	Description	Note
1	11024178 Water filter phedra				
2	9972.022 Silicone tubr 5x8 l.2mt				
3	NV99.099 Turbine d=1,2 932-8521/00 assy.				
4	NF13.006 Ring for pin d.3 quiclock zinc				
5	147920150 90° inlet pump connector				
6	149185850 Eaton pump support 4002012 magic				
7	11025297 "teflon tube 3x6 l.310 1/8"-1/8"				
8	11026713 Silicone tube 5x10 60sh l=2000mm				
9	11025292 "teflon tube 3x6 l.230 1/8"-1/8"				
10	144650300 Aspiration filter gauze net 500 (new)				
11	11005590 Safety valve/non return ass. new				
12	140321961 #n/d				
13	9071.098 Reinforcement for ulka pump	only 120V			
14	9070.042.00A Ulka pump ex5 sd1				
14	9070.042.00N Ulka pump ex5 sd1				
14	9070.044.00F Ulka pump ep5 d1	only 120V			
15	9070.043.00A Ulka pump ex5 sd1 +non return				
15	9070.043.00N Ulka pump ex5 sd1 +non return				
15	9070.045.00F Ulka pump ass.ep5 d1 120v	only 120V			
16	9161.262.060 Drip channel cover				
17	9111.597.050 Coffee discharge channel short				
18	9972.301 Silicone tube 8x12 l.170 mm				
19	NV99.072 Hose clamp d. 11.6/12.3				
20	9972.335 Silicone tube 7x11 l.135 mm				
21	NV03.006 Cap kapsto lpn 615/010				
22	NV99.050 Hoseclamp d. 13.3/14.1				
23	11001315 Silicone tube 8x12 l 950mm				
24	NV99.004 Connector t moroni 8026047 d=8				
25	9111.141 Discharge tube closure spring				

CALDAIA HS2



Pos. Code	Description	Note	Pos. Code	Description	Note
1	20006973	Solenoid x electrovalve olab 8000bh/b0ln			
2	20006974	Mobile nucleus olab 8000-836			
3	11005368	Immersion probe ass.			
4	11025409	Tube assembly teflon 3x6 l.220mm			
5	12001179	Screw tcei m4,0x12 uni 5931 8.8 zin.			
6	11025082	"1/8" g m/conical orient. nut/ogv"			
7	9991.029	Nut for resistor			
8	11012528	Upper casing boiler 600cc tea			
9	11000972	Or 3050 fkm 80 fd peroxidica			
10	11005367	Heat element boiler 230v 1550w			
10	11005374	Heat element boiler 120v 1100w	only 120V		
11	12000770	Or metric 4350 in viton			
12	11012529	Lower casing boiler 600cc tea			
13	11005365	Water inlet connector			
14	11025320	Boiler ass. cristallo600 600cc120/60 tea	only 120V		
14	11025321	Boiler ass.cristallo600 600cc 230/50 tea			
15	11008090	Support plate boiler 600cc			
16	U207.001	Plain washer 5,3x10 uni 6592 gal			
17	U005.011	Screw te m4,0x10 uni 5739 galv.			
18	11012534	Tea electrovalve 2/3 way n.c.			
19	12001052	Screw tcei m4,0x6 din 912 zin			
20	226760100	Retaining spring 3 thermostats			
21	9991.085	Thermostat fixing washer			
22	NE09.021	Thermostat 150°nc faston 90°			
23	189428700	Thermostat 175° 1nt-15l-5126			
24	U023.020	Screw tcei m6x20 uni 5931 zin			
25	NE15.031	Male tongue plain 6,3 d.6,3			
26	U046.005	Screw te m5,0x10 with washer			
27	9111.501	Insulation washer			
28	11008063	Boiler 600cc support cristallo600			
29	U302.004	Nut hexagonal m6 uni 5588			
30	NF11.115	Blind rivets			
31	11005743	Knurled female hand bolt m14			
32	U109.037	Screw aut.tcb 4,8x13 din 7981 c			
33	11005370	Pin for muff			
34	140321462	Or 2018 in silicone			
35	11005741	Connector d.6			
36	11013173	Or orm 0090-20 fkm 80 fd green peroxida			
37	U302.001	Nut hexagonal m5 uni 5588			
38	U302.003	Nut hexagonal m4 uni 5588			
39	11013174	Or orm 0050-20 fkm 80 fd green peroxida			
40	11006046	Peg for boiler			
41	U044.013	Screw tspc m4,0x12 uni 7688 galv.			